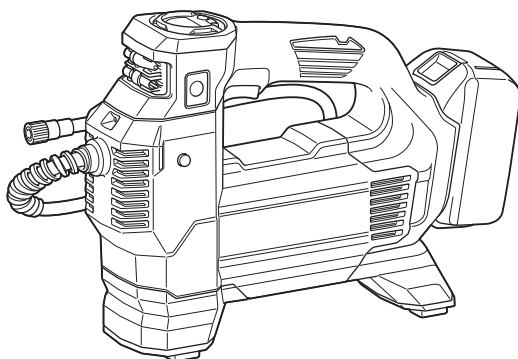


INSTRUCTION MANUAL
MANUEL D'INSTRUCTION
MANUAL DE INSTRUCCIONES



Cordless Inflator Gonfleur sans fil Inflador Inalámbrico

DMP181



IMPORTANT: Read Before Using.

IMPORTANT : Lire avant usage.

IMPORTANTE: Lea antes de usar.

SPECIFICATIONS

Model:		DMP181
Overall length	with BL1815N	297 mm (11-3/4")
	with BL1860B	316 mm (12-1/2")
Maximum air pressure		1,110 kPa (161 PSI)
Duty cycle		10 minutes On / 5 minutes Off
Rated voltage		D.C. 18 V
Net weight		2.5 - 2.8 kg (5.5 - 6.2 lbs)

- Due to our continuing program of research and development, the specifications herein are subject to change without notice.
- Specifications and battery cartridge may differ from country to country.
- The weight may differ depending on the attachment(s), including the battery cartridge. The lightest and heaviest combinations, according to EPTA-Procedure 01/2014, are shown in the table.

Applicable battery cartridge and charger

Battery cartridge	BL1815N / BL1820B / BL1830B / BL1840B / BL1850B / BL1860B
Charger	DC18RC / DC18RD / DC18RE / DC18SD / DC18SE / DC18SF / DC18SH

- Some of the battery cartridges and chargers listed above may not be available depending on your region of residence.

⚠ WARNING: Only use the battery cartridges and chargers listed above. Use of any other battery cartridges and chargers may cause injury and/or fire.

Intended use

This tool is intended for inflating tire, sport ball, or small floating tube.

SAFETY WARNINGS

General power tool safety warnings

⚠ WARNING: Read all safety warnings, instructions, illustrations and specifications provided with this power tool. Failure to follow all instructions listed below may result in electric shock, fire and/or serious injury.

Save all warnings and instructions for future reference.

The term "power tool" in the warnings refers to your mains-operated (corded) power tool or battery-operated (cordless) power tool.

Work area safety

1. **Keep work area clean and well lit.** Cluttered or dark areas invite accidents.
2. **Do not operate power tools in explosive atmospheres, such as in the presence of flammable liquids, gases or dust.** Power tools create sparks which may ignite the dust or fumes.
3. **Keep children and bystanders away while operating a power tool.** Distractions can cause you to lose control.

Electrical Safety

1. **Power tool plugs must match the outlet. Never modify the plug in any way. Do not use any adapter plugs with earthed (grounded) power tools.** Unmodified plugs and matching outlets will reduce risk of electric shock.
2. **Avoid body contact with earthed or grounded surfaces, such as pipes, radiators, ranges and refrigerators.** There is an increased risk of electric shock if your body is earthed or grounded.
3. **Do not expose power tools to rain or wet conditions.** Water entering a power tool will increase the risk of electric shock.
4. **Do not abuse the cord. Never use the cord for carrying, pulling or unplugging the power tool. Keep cord away from heat, oil, sharp edges or moving parts.** Damaged or entangled cords increase the risk of electric shock.
5. **When operating a power tool outdoors, use an extension cord suitable for outdoor use.** Use of a cord suitable for outdoor use reduces the risk of electric shock.
6. **If operating a power tool in a damp location is unavoidable, use a ground fault circuit interrupter (GFCI) protected supply.** Use of a GFCI reduces the risk of electric shock.
7. **Power tools can produce electromagnetic fields (EMF) that are not harmful to the user.** However, users of pacemakers and other similar medical devices should contact the maker of their device and/or doctor for advice before operating this power tool.

Personal Safety

1. **Stay alert, watch what you are doing and use common sense when operating a power tool. Do not use a power tool while you are tired or under the influence of drugs, alcohol or medication.** A moment of inattention while operating power tools may result in serious personal injury.
2. **Use personal protective equipment. Always wear eye protection.** Protective equipment such as dust mask, non-skid safety shoes, hard hat, or hearing protection used for appropriate conditions will reduce personal injuries.
3. **Prevent unintentional starting. Ensure the switch is in the off-position before connecting to power source and/or battery pack, picking up or carrying the tool.** Carrying power tools with your finger on the switch or energising power tools that have the switch on invites accidents.
4. **Remove any adjusting key or wrench before turning the power tool on.** A wrench or a key left attached to a rotating part of the power tool may result in personal injury.
5. **Do not overreach. Keep proper footing and balance at all times.** This enables better control of the power tool in unexpected situations.
6. **Dress properly. Do not wear loose clothing or jewellery. Keep your hair, clothing and gloves away from moving parts.** Loose clothes, jewellery or long hair can be caught in moving parts.
7. **If devices are provided for the connection of dust extraction and collection facilities, ensure these are connected and properly used.** Use of dust collection can reduce dust-related hazards.
8. **Do not let familiarity gained from frequent use of tools allow you to become complacent and ignore tool safety principles.** A careless action can cause severe injury within a fraction of a second.
9. **Always wear protective goggles to protect your eyes from injury when using power tools. The goggles must comply with ANSI Z87.1 in the USA.**
It is an employer's responsibility to enforce the use of appropriate safety protective equipment by the tool operators and by other persons in the immediate working area.

Power tool use and care

1. **Do not force the power tool. Use the correct power tool for your application.** The correct power tool will do the job better and safer at the rate for which it was designed.
2. **Do not use the power tool if the switch does not turn it on and off.** Any power tool that cannot be controlled with the switch is dangerous and must be repaired.
3. **Disconnect the plug from the power source and/or remove the battery pack, if detachable, from the power tool before making any adjustments, changing accessories, or storing power tools.** Such preventive safety measures reduce the risk of starting the power tool accidentally.
4. **Store idle power tools out of the reach of children and do not allow persons unfamiliar with the power tool or these instructions to operate the power tool.** Power tools are dangerous in the hands of untrained users.

5. **Maintain power tools and accessories. Check for misalignment or binding of moving parts, breakage of parts and any other condition that may affect the power tool's operation. If damaged, have the power tool repaired before use.** Many accidents are caused by poorly maintained power tools.
6. **Keep cutting tools sharp and clean.** Properly maintained cutting tools with sharp cutting edges are less likely to bind and are easier to control.
7. **Use the power tool, accessories and tool bits etc. in accordance with these instructions, taking into account the working conditions and the work to be performed.** Use of the power tool for operations different from those intended could result in a hazardous situation.
8. **Keep handles and grasping surfaces dry, clean and free from oil and grease.** Slippery handles and grasping surfaces do not allow for safe handling and control of the tool in unexpected situations.
9. **When using the tool, do not wear cloth work gloves which may be entangled.** The entanglement of cloth work gloves in the moving parts may result in personal injury.

Battery tool use and care

1. **Recharge only with the charger specified by the manufacturer.** A charger that is suitable for one type of battery pack may create a risk of fire when used with another battery pack.
2. **Use power tools only with specifically designated battery packs.** Use of any other battery packs may create a risk of injury and fire.
3. **When battery pack is not in use, keep it away from other metal objects, like paper clips, coins, keys, nails, screws or other small metal objects, that can make a connection from one terminal to another.** Shorting the battery terminals together may cause burns or a fire.
4. **Under abusive conditions, liquid may be ejected from the battery; avoid contact. If contact accidentally occurs, flush with water. If liquid contacts eyes, additionally seek medical help.** Liquid ejected from the battery may cause irritation or burns.
5. **Do not use a battery pack or tool that is damaged or modified.** Damaged or modified batteries may exhibit unpredictable behaviour resulting in fire, explosion or risk of injury.
6. **Do not expose a battery pack or tool to fire or excessive temperature.** Exposure to fire or temperature above 130 °C may cause explosion.
7. **Follow all charging instructions and do not charge the battery pack or tool outside the temperature range specified in the instructions.** Charging improperly or at temperatures outside the specified range may damage the battery and increase the risk of fire.

Service

1. **Have your power tool serviced by a qualified repair person using only identical replacement parts.** This will ensure that the safety of the power tool is maintained.
2. **Never service damaged battery packs.** Service of battery packs should only be performed by the manufacturer or authorized service providers.

3. **Follow instruction for lubricating and changing accessories.**
4. **Do not modify or attempt to repair the appliance or the battery pack except as indicated in the instructions for use and care.**

Cordless inflator safety warnings

1. **When inflating objects, connect the air chuck, adapter, and valve tightly.** Otherwise, the object, hose, air chuck, or adapter may be damaged and you may be injured.
2. **Release air pressure slowly. When removing the hose after inflating objects, hold the object, hose, and air chuck firmly.** The object, air chuck, or adapter may bounce due to exhaust air and cause an injury.
3. **Do not inflate object beyond the maximum pressure of the object.** Otherwise, the tool or object may be damaged and you may be injured.
4. **Do not use the tool beyond the maximum output pressure of the tool.** Using the tool at output pressure greater than the maximum output pressure of the tool may burst the object or the tool.
5. **Inflate the objects intended to be inflated by the manufacturer only, such as tire, sport ball, or small floating tube.** Inflating other objects may damage them and cause an injury.
6. **When inflating objects, check the pressure gauge, status of the tool and object, and check that there is no air leak.** Otherwise, the tool or object may be damaged and cause an injury.
7. **When carrying the tool, hold the handle of the tool. Do not hold or pull the hose.** The tool may be damaged and cause an injury.
8. **After inflating objects, check the air pressure using a reliable and calibrated measuring equipment.** Use the pressure gauge of the tool only as a reference.
9. **After using the tool for 10 minutes continuously, stop using the tool for 5 minutes for cooling down. Do not use the tool beyond the continuous operating time allowed.** Otherwise, the tool may be damaged and cause an injury.
10. **Do not use the tool on sand or dusty surface.** Foreign objects may enter the inside of the tool and cause a malfunction.
11. **Do not point the outlet of the hose to yourself or others.** Objects may be blown away and cause an injury.
12. **Do not point the outlet of the hose to dust or similar.** The dust may be scattered and cause an injury.
13. **Do not inflate large capacity objects.** If you inflate a large capacity object, the tool may become extremely hot and could burn your skin.
14. **Do not touch the tool, hose, air chuck, or adapter right after inflating objects.** The metal parts may become extremely hot and could burn your skin.
15. **Do not use the tool with wet hands.**
16. **Make sure that the hose is not entangled.** The entangled hose may cause loss of balance and cause an injury.
17. **Never leave the tool unattended when the hose is attached to the object or during operation.**

18. **Do not use the tool as a breathing device.**
19. **Do not use the tool to spray chemicals.** Your lungs may be damaged by inhaling toxic fumes.
20. **Operate the tool in an open area at least 50 cm (20") away from any wall or object that could restrict air flow to ventilation openings.**
21. **Do not disassemble the tool.**
22. **Use only standard accessories provided by Makita.** The use of any other accessories or attachments might present a risk of injury to persons.
23. **This tool is for household use only.**
24. **Before you inflate a tire, make sure that there are no scratches or cracks in the tire.** Damaged tire can burst when it is inflated and cause an injury.
25. **While you inflate a tire, do not stay in front of its sidewall.**

Symbols

The followings show the symbols used for tool.

V	volts
A	amperes
— — —	direct current
psi	pounds per square inch

Important safety instructions for battery cartridge

1. **Before using battery cartridge, read all instructions and cautionary markings on (1) battery charger, (2) battery, and (3) product using battery.**
2. **Do not disassemble or tamper with the battery cartridge.** It may result in a fire, excessive heat, or explosion.
3. **If operating time has become excessively shorter, stop operating immediately. It may result in a risk of overheating, possible burns and even an explosion.**
4. **If electrolyte gets into your eyes, rinse them out with clear water and seek medical attention right away. It may result in loss of your eyesight.**
5. **Do not short the battery cartridge:**
 - (1) **Do not touch the terminals with any conductive material.**
 - (2) **Avoid storing battery cartridge in a container with other metal objects such as nails, coins, etc.**
 - (3) **Do not expose battery cartridge to water or rain.**

A battery short can cause a large current flow, overheating, possible burns and even a breakdown.

6. Do not store and use the tool and battery cartridge in locations where the temperature may go -20 °C (-4 °F) or less, or, 50 °C (122 °F) or more.
7. Do not incinerate the battery cartridge even if it is severely damaged or is completely worn out. The battery cartridge can explode in a fire.
8. Do not nail, cut, crush, throw, drop the battery cartridge, or hit against a hard object to the battery cartridge. Such conduct may result in a fire, excessive heat, or explosion.
9. Do not use a damaged battery.
10. The contained lithium-ion batteries are subject to the Dangerous Goods Legislation requirements.

For commercial transports e.g. by third parties, forwarding agents, special requirement on packaging and labeling must be observed.

For preparation of the item being shipped, consulting an expert for hazardous material is required. Please also observe possibly more detailed national regulations.

Tape or mask off open contacts and pack up the battery in such a manner that it cannot move around in the packaging.

11. When disposing the battery cartridge, remove it from the tool and dispose of it in a safe place. Follow your local regulations relating to disposal of battery.
12. Use the batteries only with the products specified by Makita. Installing the batteries to non-compliant products may result in a fire, excessive heat, explosion, or leak of electrolyte.
13. If the tool is not used for a long period of time, the battery must be removed from the tool.
14. During and after use, the battery cartridge may take on heat which can cause burns or low temperature burns. Pay attention to the handling of hot battery cartridges.
15. Do not touch the terminal of the tool immediately after use as it may get hot enough to cause burns.
16. Do not allow chips, dust, or soil stuck into the terminals, holes, and grooves of the battery cartridge. It may result in poor performance or breakdown of the tool or battery cartridge.
17. Unless the tool supports the use near high-voltage electrical power lines, do not use the battery cartridge near high-voltage electrical power lines. It may result in a malfunction or breakdown of the tool or battery cartridge.
18. Keep the battery away from children.

SAVE THESE INSTRUCTIONS.

CAUTION: Only use genuine Makita batteries. Use of non-genuine Makita batteries, or batteries that have been altered, may result in the battery bursting causing fires, personal injury and damage. It will also void the Makita warranty for the Makita tool and charger.

Tips for maintaining maximum battery life

1. Charge the battery cartridge before completely discharged. Always stop tool operation and charge the battery cartridge when you notice less tool power.
2. Never recharge a fully charged battery cartridge. Overcharging shortens the battery service life.
3. Charge the battery cartridge with room temperature at 10 °C - 40 °C (50 °F - 104 °F). Let a hot battery cartridge cool down before charging it.
4. When not using the battery cartridge, remove it from the tool or the charger.
5. Charge the battery cartridge if you do not use it for a long period (more than six months).

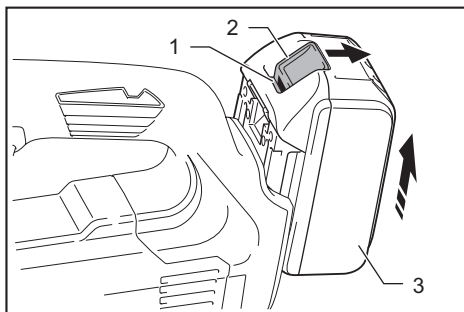
FUNCTIONAL DESCRIPTION

CAUTION: Always be sure that the tool is switched off and the battery cartridge is removed before adjusting or checking function on the tool.

Installing or removing battery cartridge

CAUTION: Always switch off the tool before installing or removing of the battery cartridge.

CAUTION: Hold the tool and the battery cartridge firmly when installing or removing battery cartridge. Failure to hold the tool and the battery cartridge firmly may cause them to slip off your hands and result in damage to the tool and battery cartridge and a personal injury.



► 1. Red indicator 2. Button 3. Battery cartridge

To remove the battery cartridge, slide it from the tool while sliding the button on the front of the cartridge.

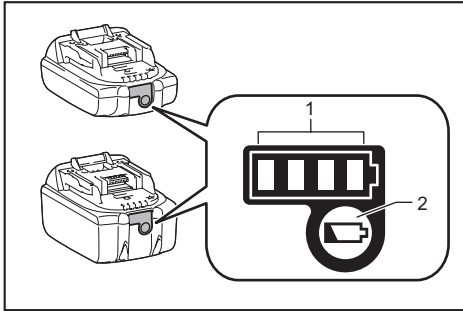
To install the battery cartridge, align the tongue on the battery cartridge with the groove in the housing and slip it into place. Insert it all the way until it locks in place with a little click. If you can see the red indicator as shown in the figure, it is not locked completely.

CAUTION: Always install the battery cartridge fully until the red indicator cannot be seen. If not, it may accidentally fall out of the tool, causing injury to you or someone around you.

CAUTION: Do not install the battery cartridge forcibly. If the cartridge does not slide in easily, it is not being inserted correctly.

Indicating the remaining battery capacity

Only for battery cartridges with the indicator



► 1. Indicator lamps 2. Check button

Press the check button on the battery cartridge to indicate the remaining battery capacity. The indicator lamps light up for a few seconds.

Indicator lamps			Remaining capacity
Lighted	Off	Blinking	
■	■ ■ ■ ■		75% to 100%
■	■ ■ ■ □		50% to 75%
■	■ □ □ □		25% to 50%
■	□ □ □ □		0% to 25%
▣	□ □ □ □		Charge the battery.
■ ■ □ □	□ □	■ ■	The battery may have malfunctioned.
□ □	■ ■		

NOTE: Depending on the conditions of use and the ambient temperature, the indication may differ slightly from the actual capacity.

NOTE: The first (far left) indicator lamp will blink when the battery protection system works.

Tool / battery protection system

The tool is equipped with a tool/battery protection system. This system automatically cuts off the power to extend tool and battery life. The tool will automatically stop during operation if the tool or battery is placed under one of the following conditions:

Overload protection

This protection works when the tool/battery is operated in a manner that causes it to draw an abnormally high current. In this situation, turn the tool off and stop the application that caused the tool to become overloaded. Then turn the tool on to restart.

Overheat protection

This protection works when the tool/battery is overheated. The lamp blinks and the overheat warning icon is displayed on the pressure gauge. In this situation, turn the tool off and let the tool and battery cool down. Then, turn the tool on again.

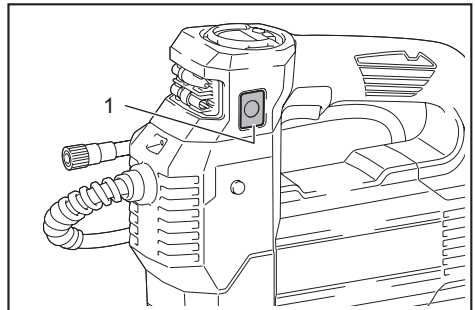
Overdischarge protection

This protection works when the remaining battery capacity gets low. In this situation, remove the battery from the tool and charge the battery.

Main power switch

WARNING: Always turn off the main power switch when not in use.

CAUTION: When carrying the tool, turn off the main power switch. Otherwise, pulling the switch trigger unintentionally may cause an injury.



► 1. Main power switch

To turn on the tool, press the main power switch. To turn off the tool, press the main power switch again.

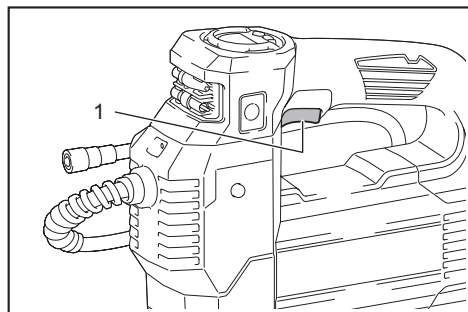
NOTE: This tool employs the auto power-off function. To avoid unintentional start up, the main power switch will automatically shut down when the switch trigger is not pulled for a certain period after the main power switch is turned on.

Switch action

⚠ WARNING: Before installing the battery cartridge into the tool, always check to see that the switch trigger actuates properly and returns to the "OFF" position when released.

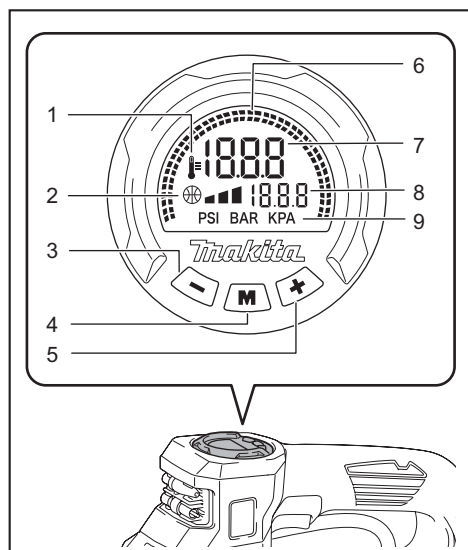
⚠ WARNING: Do not attach a tape or such to keep the switch trigger in the "ON" position.

To start the tool, simply pull the switch trigger. Release the switch trigger to stop.



► 1. Switch trigger

Pressure gauge



1	Overheat warning icon
2	Inflation mode
3	[-] button
4	[M] button
5	[+] button
6	Inflation progress indicator
7	Current pressure value

8	Target pressure value
9	Pressure value unit

If the object to be inflated is connected to the tool, the current pressure value of the object is displayed on the pressure gauge when you turn on the tool. If nothing is connected to the tool, the pressure gauge displays "0". The pressure gauge also displays the target pressure value, pressure value unit, and inflation mode. They are the same as the last time.

When you start inflation, the inflation progress indicator is displayed. The inflation completes when the inflation progress indicator comes to the right end.

Setting the target pressure value

Press the [M] button, and select the pressure value unit. The pressure value unit is changed each time you press the [M] button. You can select one of the three units: PSI, BAR, or KPA.

To increase the target pressure value, press the [+] button. To decrease the target pressure value, press the [-] button. You can set the target pressure value between 35 kPa (5 PSI) and 1,110 kPa (161 PSI).

Setting the inflation mode

Press the [M] button for 3 seconds. The inflation mode is changed each time you press and hold the [M] button. You can select one of the three modes as follows.

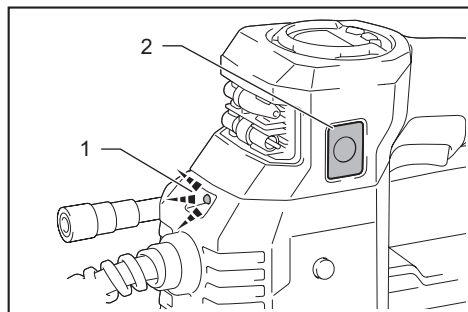
Mode	Display	Purpose	Adjustable pressure range
Ball		To inflate balls	35 to 110 kPa (5 to 16 PSI)
Low speed		To inflate objects in low speed	35 to 1,110 kPa (5 to 161 PSI)
High speed		To inflate objects in high speed	

NOTE: Be sure to select the ball mode when you inflate a ball using a sport ball needle. If other mode is selected, the inflation cannot be performed properly.

NOTE: Be sure to select the low speed mode when you inflate an object using an English valve adapter. If other mode is selected, the inflation cannot be performed properly.

Lighting up the front lamp

When you turn on the tool by pressing the main power switch, the lamp lights up. When you turn off the tool by pressing the main power switch, the lamp goes out.



► 1. Lamp 2. Main power switch

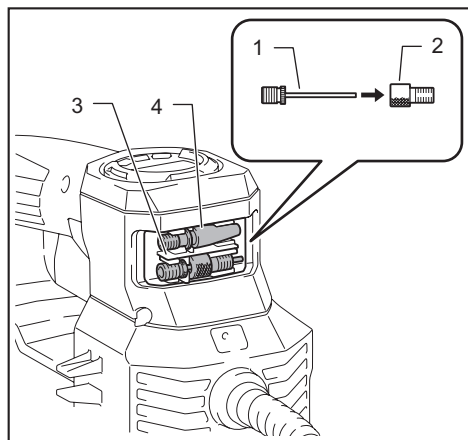
CAUTION: Do not look in the light or see the source of light directly.

NOTICE: When the tool is overheated, the lamp blinks. Turn the tool off and let the tool cool down fully before operating the tool again.

NOTE: Use a dry cloth to wipe the dirt off the lens of the lamp. Be careful not to scratch the lens of lamp, or it may lower the illumination.

Storing adapter

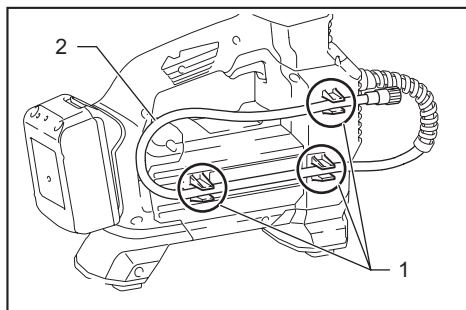
The adapters can be stored in the adapter holder of the tool. Insert the sport ball needle into the Presta valve adapter before attaching them to the adapter holder.



► 1. Sport ball needle 2. Presta valve adapter
3. Adapter holder 4. Tapered adapter

Storing hose

The hose can be attached to the hose holder of the tool.

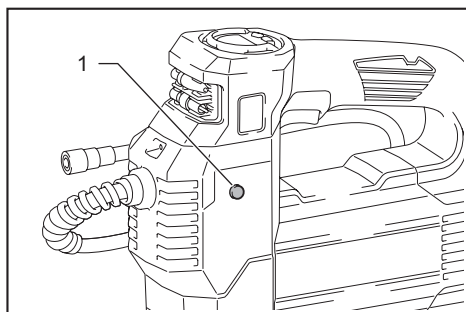


► 1. Hose holder 2. Hose

Air release button

NOTICE: While the English valve adapter is attached to the tool, the air does not go out even when you press the air release button.

When the object is inflated too much, press the air release button to release air.



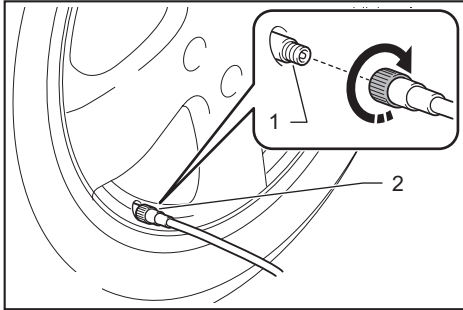
► 1. Air release button

OPERATION

NOTE: The standard adapters vary depending on the country.

Using the Schrader valve adapter

1. Attach the air chuck to the valve stem.

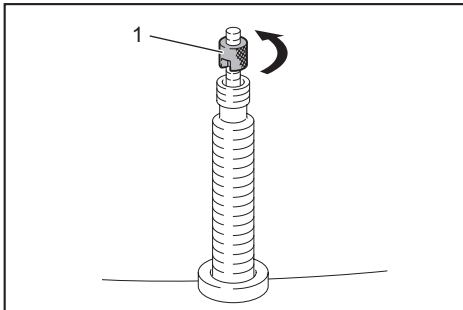


- 1. Valve stem 2. Air chuck

2. Turn on the tool, and then set the pressure value appropriate for the tire using the pressure gauge.
3. Keep pulling the switch trigger until the tool stops. The tire is inflated with the specified pressure.

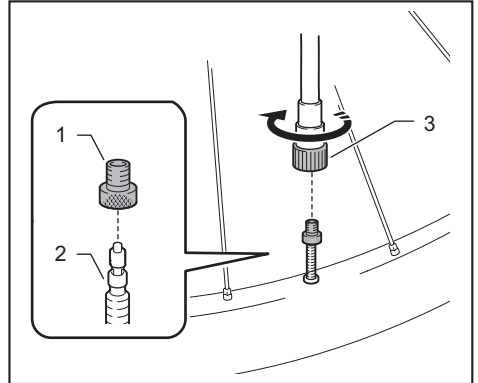
Using the Presta valve adapter

1. Loosen the locking nut on the valve stem.



- 1. Locking nut

2. Attach the Presta valve adapter to the valve stem, and then attach the air chuck to the Presta valve adapter.



- 1. Presta valve adapter 2. Valve stem 3. Air chuck

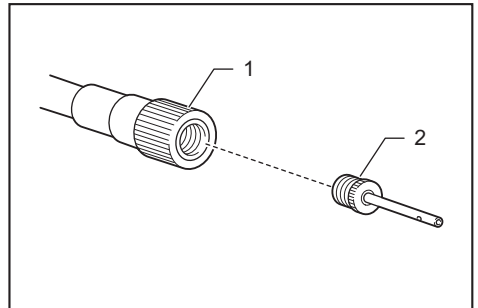
3. Turn on the tool, and then set the pressure value appropriate for the tire using the pressure gauge.
4. Keep pulling the switch trigger until the tool stops. The tire is inflated with the specified pressure.
5. Remove the air chuck and Presta valve adapter, and then tighten the locking nut.

Using the sport ball needle

NOTICE: Be sure to select the ball mode when you inflate a ball using a sport ball needle. If other mode is selected, the inflation cannot be performed properly.

To inflate sport balls, use the sport ball needle.

1. Attach the sport ball needle to the air chuck.



- 1. Air chuck 2. Sport ball needle

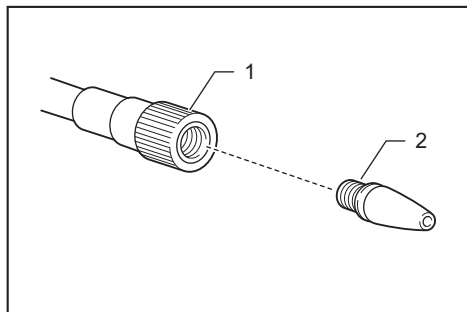
2. Insert the sport ball needle into the hole on the ball.
3. Turn on the tool.
4. Set the inflation mode to the ball mode, and set the pressure value appropriate for the ball using the pressure gauge.
5. Keep pulling the switch trigger until the tool stops. The ball is inflated with the specified pressure.

Using the tapered adapter

CAUTION: Be careful not to inflate the floating tube too much.

To inflate floating tubes, use the tapered adapter.

1. Attach the tapered adapter to the air chuck.



► 1. Air chuck 2. Tapered adapter

2. Insert the tapered adapter into the hole on the floating tube.
3. Turn on the tool.
4. Inflate the floating tube by pulling the switch trigger while checking the status of the floating tube.

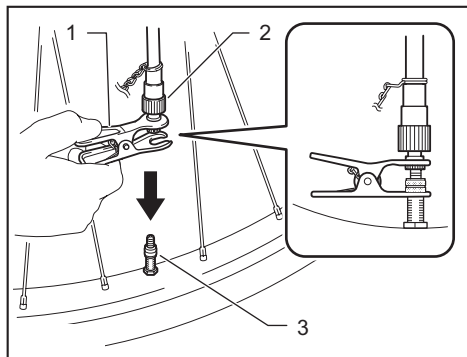
NOTICE: When inflating a floating tube, do not refer to the current pressure value on the pressure gauge. The pressure gauge does not display an accurate current pressure value when the pressure of floating tube is less than 35 kPa (5 PSI).

Using the English valve adapter

Country specific

NOTICE: Be sure to select the low speed mode when you inflate an object using an English valve adapter. If other mode is selected, the inflation cannot be performed properly.

1. Insert the English valve adapter into the air chuck.
2. Attach the English valve adapter to the valve stem while opening the English valve adapter.



► 1. English valve adapter 2. Air chuck 3. Valve stem

3. Turn on the tool.
4. Inflate the tire by pulling the switch trigger while checking the status of the tire.

NOTICE: When using the English valve adapter, the pressure gauge will not display an accurate value due to characteristics of the valve. When inflating a tire, do not use the value on the pressure gauge, but inflate it by checking the status of the tire.

If the tool stops before the tire reaches the desired air pressure, adjust the pressure value, and then inflate the tire again.

MAINTENANCE

CAUTION: Always be sure that the tool is switched off and the battery cartridge is removed before attempting to perform inspection or maintenance.

NOTICE: Never use gasoline, benzine, thinner, alcohol or the like. Discoloration, deformation or cracks may result.

To maintain product SAFETY and RELIABILITY, repairs, any other maintenance or adjustment should be performed by Makita Authorized or Factory Service Centers, always using Makita replacement parts.

MAKITA LIMITED WARRANTY

Please refer to the annexed warranty sheet for the most current warranty terms applicable to this product. If annexed warranty sheet is not available, refer to the warranty details set forth at below website for your respective country.

United States of America: www.makitatools.com
Canada: www.makita.ca
Other countries: www.makita.com

OPTIONAL ACCESSORIES

CAUTION: These accessories or attachments are recommended for use with your Makita tool specified in this manual. The use of any other accessories or attachments might present a risk of injury to persons. Only use accessory or attachment for its stated purpose.

If you need any assistance for more details regarding these accessories, ask your local Makita Service Center.

- Makita genuine battery and charger

NOTE: Some items in the list may be included in the tool package as standard accessories. They may differ from country to country.

SPÉCIFICATIONS

Modèle :		DMP181
Longueur totale	avec BL1815N	297 mm (11-3/4")
	avec BL1860B	316 mm (12-1/2")
Pression d'air maximale		1 110 kPa (161 PSI)
Cycle de service		10 minutes allumé / 5 minutes éteint
Tension nominale		C.C. 18 V
Poids net		2,5 - 2,8 kg (5,5 - 6,2 lbs)

- Étant donné l'évolution constante de notre programme de recherche et développement, les spécifications contenues dans ce manuel sont sujettes à modification sans préavis.
- Les spécifications et la batterie peuvent varier suivant les pays.
- Le poids peut varier selon les accessoires, y compris la batterie. La plus légère et la plus lourde combinaisons, selon la procédure EPTA 01/2014, sont indiquées dans le tableau.

Batteries et chargeurs applicables

Batterie	BL1815N / BL1820B / BL1830B / BL1840B / BL1850B / BL1860B
Chargeur	DC18RC / DC18RD / DC18RE / DC18SD / DC18SE / DC18SF / DC18SH

- Suivant la région où vous habitez, il se peut que certaines des batteries et certains des chargeurs énumérés ci-dessus ne soient pas disponibles.

⚠ MISE EN GARDE : Utilisez exclusivement les batteries et chargeurs énumérés ci-dessus. L'utilisation de toute autre batterie ou tout autre chargeur peut entraîner une blessure et/ou un incendie.

Utilisation prévue

Cet outil est conçu pour gonfler des pneus, des ballons de sport ou de petits flotteurs.

CONSIGNES DE SÉCURITÉ

Consignes de sécurité générales pour outils électriques

⚠ MISE EN GARDE : Lisez toutes les mises en garde, instructions, illustrations et spécifications qui accompagnent cet outil électrique. Il y a risque de décharge électrique, d'incendie et/ou de blessure grave si les instructions ci-dessous ne sont pas toutes respectées.

Conservez toutes les mises en garde et instructions pour référence future.

Le terme « outil électrique » qui figure dans les avertissements fait référence à un outil électrique branché sur une prise de courant (par un cordon d'alimentation) ou alimenté par batterie (sans fil).

Sécurité de la zone de travail

1. **Maintenez la zone de travail propre et bien éclairée.** Les zones de travail encombrées ou sombres ouvrent grande la porte aux accidents.
2. **N'utilisez pas les outils électriques dans les atmosphères explosives, par exemple en présence de liquides, gaz ou poussières inflammables.** Les outils électriques produisent des étincelles au contact desquelles la poussière ou les vapeurs peuvent s'enflammer.
3. **Assurez-vous qu'aucun enfant ou curieux ne s'approche pendant que vous utilisez un outil électrique.** Vous risquez de perdre la maîtrise de l'outil si votre attention est détournée.

Sécurité en matière d'électricité

1. **Les fiches d'outil électrique sont conçues pour s'adapter parfaitement aux prises de courant. Ne modifiez jamais la fiche de quelque façon que ce soit. N'utilisez aucun adaptateur de fiche sur les outils électriques avec mise à la terre.** En ne modifiant pas les fiches et en les insérant dans des prises de courant pour lesquelles elles ont été conçues, vous réduirez les risques de choc électrique.
2. **Évitez tout contact corporel avec les surfaces mises à la terre, telles que tuyaux, radiateurs, cuisinières et réfrigérateurs.** Le risque de choc électrique est plus élevé si votre corps se trouve mis à la terre.
3. **N'exposez pas les outils électriques à la pluie ou à l'eau.** La présence d'eau dans un outil électrique augmente le risque de choc électrique.

4. **Ne maltraitez pas le cordon. N'utilisez jamais le cordon pour transporter, tirer ou débrancher l'outil électrique. Maintenez le cordon à l'écart des sources de chaleur, de l'huile, des objets à bords tranchants et des pièces en mouvement.** Le risque de choc électrique est plus élevé lorsque les cordons sont endommagés ou enchevêtrés.
5. **Lorsque vous utilisez un outil électrique à l'extérieur, utilisez un cordon prolongateur conçu pour l'usage extérieur.** Les risques de choc électrique est moindre lorsqu'un cordon conçu pour l'usage extérieur est utilisé.
6. **Si vous devez utiliser un outil électrique dans un endroit humide, utilisez une source d'alimentation protégée par un disjoncteur de fuite à la terre.** L'utilisation d'un disjoncteur de fuite à la terre réduit le risque de choc électrique.
7. **Les outils électriques peuvent produire des champs électromagnétiques (CEM) qui ne sont pas préjudiciables à l'utilisateur.** Les utilisateurs de stimulateur cardiaque ou autres appareils médicaux similaires doivent toutefois demander conseil au fabricant et/ou à leur médecin avant d'utiliser cet outil électrique.
8. **Évitez d'être complaisant et d'ignorer les principes de sécurité de l'outil en raison de la familiarité acquise par un usage fréquent des outils.** Un geste imprudent peut entraîner une grave blessure en une fraction de seconde.
9. **Portez toujours des lunettes à coques de protection pour protéger vos yeux contre les blessures lors de l'utilisation d'outils électriques. Les lunettes à coques doivent être conformes à ANSI Z87.1 aux États-Unis.** L'employeur a la responsabilité d'imposer l'utilisation d'équipements de protection de sécurité adéquats aux utilisateurs des outils électriques et à toute autre personne se trouvant dans la zone de travail immédiate.

Utilisation et entretien des outils électriques

1. **Ne forcez pas l'outil électrique. Utilisez l'outil électrique adéquat suivant le type de travail à effectuer.** Si vous utilisez l'outil électrique adéquat et respectez le régime pour lequel il a été conçu, il effectuera un travail de meilleure qualité et plus sécuritaire.
2. **N'utilisez pas l'outil électrique s'il n'est pas possible de l'allumer et de l'éteindre avec son interrupteur.** Un outil électrique dont l'interrupteur est défectueux représente un danger et doit être réparé.
3. **Avant d'effectuer tout réglage, de remplacer un accessoire ou de ranger l'outil électrique, débranchez la fiche de la source d'alimentation et/ou retirez la batterie de l'outil électrique si elle est amovible.** Ces mesures préventives de sécurité réduisent les risques de démarrage accidentel de l'outil électrique.
4. **Après l'utilisation d'un outil électrique, rangez-le hors de portée des enfants et ne laissez aucune personne l'utiliser si elle n'est pas familiarisée avec l'outil électrique ou les présentes instructions d'utilisation.** Les outils électriques représentent un danger entre les mains de personnes qui n'en connaissent pas le mode d'utilisation.
5. **Effectuez l'entretien des outils électriques et des accessoires. Assurez-vous que les pièces mobiles ne sont pas désalignées ou coincées, qu'aucune pièce n'est cassée et que l'outil électrique n'a subi aucun dommage affectant son bon fonctionnement. Le cas échéant, faites réparer l'outil électrique avant de l'utiliser.** De nombreux accidents sont causés par des outils électriques mal entretenus.
6. **Maintenez les outils tranchants bien aiguisés et propres.** Un outil tranchant dont l'entretien est effectué correctement et dont les bords sont bien aiguisés risquera moins de se coincer et sera plus facile à maîtriser.
7. **Utilisez l'outil électrique, ses accessoires, ses embouts, etc., en respectant les présentes instructions, en tenant compte des conditions de travail et du type de travail à effectuer.** L'utilisation d'un outil électrique pour d'autres usages que ceux prévus peut entraîner une situation dangereuse.
8. **Gardez les poignées et surfaces de saisie sèches, propres et exemptes d'huile et de graisse.** Les poignées et surfaces de saisie glissantes ne permettent pas une manipulation sûre et une bonne maîtrise de l'outil dans les situations inattendues.

Sécurité personnelle

1. **Restez alerte, attentif à vos mouvements et faites preuve de bon sens lorsque vous utilisez un outil électrique. N'utilisez pas les outils électriques si vous êtes fatigué ou avez pris une drogue, de l'alcool ou un médicament.** Un moment d'inattention pendant l'utilisation d'un outil électrique peut entraîner une grave blessure.
2. **Portez des dispositifs de protection personnelle. Portez toujours une protection oculaire.** Les risques de blessure seront moins élevés si vous utilisez des dispositifs de protection tels qu'un masque anti-poussière, des chaussures à semelle antidérapante, une coiffure résistante ou une protection d'oreilles.
3. **Évitez les démarrages accidentels. Assurez-vous que l'interrupteur est en position d'arrêt avant de brancher l'outil à la prise de courant et/ou au bloc-piles, et avant de prendre ou de transporter l'outil.** Vous ouvrez la porte aux accidents si vous transportez les outils électriques avec le doigt sur l'interrupteur ou si vous les branchez alors que l'interrupteur est en position de marche.
4. **Retirez toute clé de réglage ou de serrage avant de mettre l'outil électrique sous tension.** Toute clé laissée en place sur une pièce rotative de l'outil électrique peut entraîner une blessure.
5. **Ne vous étirez pas exagérément. Assurez-vous d'une bonne prise au sol et d'un bon équilibre en tout temps.** Cela vous permettra d'avoir une meilleure maîtrise de l'outil électrique dans les situations imprévues.
6. **Portez des vêtements adéquats. Ne portez ni vêtements amples ni bijoux. Gardez vos cheveux, vêtements et gants à l'écart des pièces en mouvement.** Les vêtements amples, bijoux ou cheveux longs peuvent être happés par les pièces en mouvement.
7. **Si des accessoires sont fournis pour raccorder un appareil d'aspiration et de collecte de la poussière, assurez-vous qu'ils sont correctement raccordés et qu'ils sont utilisés de manière adéquate.** L'utilisation d'un appareil de collecte permet de réduire les risques liés à la présence de poussière dans l'air.

9. **Lors de l'utilisation de l'outil, ne portez pas de gants de travail en tissu qui risquent de s'enchevêtrer dans l'outil.** L'enchevêtrement de gants de travail en tissu dans les pièces en mouvement peut entraîner une blessure.

Utilisation et entretien des outils alimentés par batterie

1. **Pour recharger, utilisez uniquement le chargeur spécifié par le fabricant.** L'utilisation d'un chargeur conçu pour un type donné de bloc-piles comporte un risque d'incendie lorsqu'il est utilisé avec un autre type de bloc-piles.
2. **N'utilisez un outil électrique qu'avec le bloc-piles conçu spécifiquement pour cet outil.** Il y a risque de blessure ou d'incendie si un autre bloc-piles est utilisé.
3. **Lorsque vous n'utilisez pas le bloc-piles, rangez-le à l'écart des objets métalliques tels que trombones, pièces de monnaie, clés, clous, vis ou autres petits objets métalliques qui risqueraient d'établir une connexion entre les bornes.** La mise en court-circuit des bornes de batterie peut causer des brûlures ou un incendie.
4. **Dans des conditions d'utilisation inadéquates de la batterie, il peut y avoir fuite d'électrolyte; évitez tout contact avec ce liquide. En cas de contact accidentel, rincez avec beaucoup d'eau. Si le liquide pénètre dans vos yeux, il faut aussi consulter un médecin.** L'électrolyte qui s'échappe de la batterie peut causer des irritations ou des brûlures.
5. **N'utilisez pas une batterie ou un outil s'il est endommagé ou modifié.** Les batteries endommagées ou modifiées peuvent avoir un comportement imprévisible dont peut résulter un incendie, une explosion ou un risque de blessure.
6. **N'exposez pas une batterie ou un outil au feu ou à une température excessive.** L'exposition au feu ou à une température supérieure à 130 °C peut entraîner une explosion.
7. **Suivez toutes les instructions de charge et ne chargez pas la batterie ou l'outil à l'extérieur de la plage de température spécifiée dans les instructions.** Charger de manière inadéquate ou à des températures hors de la plage spécifiée peut endommager la batterie et augmenter le risque d'incendie.

Réparation

1. **Faites réparer votre outil électrique par un réparateur qualifié qui utilise des pièces de rechange identiques aux pièces d'origine.** Le maintien de la sûreté de l'outil électrique sera ainsi assuré.
2. **N'essayez jamais de réparer les batteries endommagées.** La réparation des batteries ne doit être effectuée que par le fabricant ou par un fournisseur de service après-vente agréé.
3. **Suivez les instructions de lubrification et de remplacement des accessoires.**
4. **Ne modifiez pas ou n'essayez pas de réparer l'appareil ou la batterie autrement que tel qu'indiqué dans les instructions d'utilisation et d'entretien.**

Consignes de sécurité pour gonfleur sans fil

1. **Lors du gonflage des objets, raccordez le mandrin pneumatique, l'adaptateur et la valve fermement.** Autrement, vous risquez d'abîmer l'objet, le boyau, le mandrin pneumatique ou l'adaptateur et de vous blesser.
2. **Libérez la pression d'air lentement. Lors du retrait du boyau après avoir gonflé les objets, tenez l'objet, le boyau et le mandrin pneumatique fermement.** L'air évacué peut faire bondir l'objet, le mandrin pneumatique ou l'adaptateur et entraîner une blessure.
3. **Ne gonflez pas l'objet au-delà de la pression maximale de l'objet.** Autrement, vous risquez d'endommager l'outil ou l'objet et de vous blesser.
4. **N'utilisez pas l'outil au-delà de sa pression de sortie maximale.** Utiliser l'outil à une pression de sortie supérieure à sa pression de sortie maximale peut faire éclater l'objet ou l'outil.
5. **Ne gonflez que les objets conçus par le fabricant pour être gonflés, tels que pneus, ballons de sport ou petits flotteurs.** Gonfler d'autres objets peut les endommager et entraîner une blessure.
6. **Lors du gonflage des objets, vérifiez le manomètre, l'état de l'outil et de l'objet, et assurez-vous qu'il n'y a pas de fuite d'air.** Autrement, vous risquez d'endommager l'outil ou l'objet et de vous blesser.
7. **Pour transporter l'outil, saisissez-le par sa poignée. Évitez de le saisir ou de le tirer par le boyau.** Vous risqueriez d'endommager l'outil et de vous blesser.
8. **Après avoir gonflé les objets, vérifiez la pression d'air à l'aide d'un instrument de mesure fiable et bien calibré.** N'utilisez le manomètre de l'outil qu'à titre d'indication approximative.
9. **Après 10 minutes d'utilisation continue de l'outil, arrêtez l'utilisation pour le laisser refroidir pendant 5 minutes. N'utilisez pas l'outil plus longtemps que le temps de fonctionnement continu admis.** Autrement, vous risqueriez d'endommager l'outil et de vous blesser.
10. **N'utilisez pas l'outil sur le sable ou sur une surface poussiéreuse.** Des corps étrangers risqueraient de pénétrer dans l'outil et d'entraîner un dysfonctionnement.
11. **Ne pointez la sortie du boyau vers personne, y compris vous-même.** Des objets risqueraient d'être soufflés et d'entraîner une blessure.
12. **Ne pointez pas la sortie du boyau vers la poussière, etc.** La poussière risquerait d'être dispersée et d'entraîner une blessure.
13. **Ne gonflez pas d'objets d'une grande capacité.** Si vous gonflez un objet d'une grande capacité, l'outil risque de devenir très chaud et de vous brûler la peau.
14. **Ne touchez pas l'outil, le boyau, le mandrin pneumatique ou l'adaptateur juste après avoir gonflé les objets.** Les pièces métalliques peuvent devenir très chaudes et vous brûler la peau.
15. **N'utilisez pas l'outil avec les mains mouillées.**
16. **Veillez à ce que le boyau ne s'emmêle pas.** Un boyau emmêlé peut entraîner une perte d'équilibre et une blessure.
17. **Ne laissez jamais l'outil sans surveillance pendant que le boyau est fixé à l'objet, ou pendant que l'outil est en marche.**
18. **N'utilisez pas l'outil comme appareil respiratoire.**

19. **N'utilisez pas l'outil pour vaporiser des produits chimiques.** Vos poumons peuvent être endommagés par l'inhalation de fumées toxiques.
20. **Utilisez l'outil dans un espace ouvert, à au moins 50 cm (20") de tout mur ou objet qui pourrait restreindre le flux d'air aux ouvertures de ventilation.**
21. **Ne démontez pas l'outil.**
22. **N'utilisez que les accessoires standard fournis par Makita.** L'utilisation de tout autre accessoire ou pièce complémentaire peut comporter un risque de blessure.
23. **Cet outil est conçu uniquement pour un usage domestique.**
24. **Avant de gonfler un pneu, assurez-vous qu'il n'y a pas d'éraflure ou de fissures dans le pneu.** Un pneu endommagé peut éclater lorsqu'il est gonflé et causer des blessures.
25. **Lorsque vous gonflez un pneu, ne restez pas devant son flanc.**
6. **Ne rangez et n'utilisez pas l'outil et la batterie dans des emplacements où la température peut descendre jusqu'à -20 °C (-4 °F) ou moins, ou atteindre, 50 °C (122 °F) ou plus.**
7. **Ne jetez pas la batterie au feu même si elle est sérieusement endommagée ou complètement épuisée.** La batterie peut exploser au contact du feu.
8. **Évitez de clouer, de couper, d'écraser, de lancer ou d'échapper la batterie, ou de heurter un objet dur contre la batterie.** Cela peut entraîner un incendie, une chaleur excessive ou une explosion.
9. **N'utilisez pas une batterie si elle est endommagée.**
10. **Les batteries lithium-ion fournies sont soumises aux exigences de la législation sur les marchandises dangereuses.**
Des exigences particulières sur l'emballage et l'étiquetage doivent être respectées lors du transport commercial par des tiers, des transitaires, etc. Pour préparer la marchandise à expédier, consultez un expert en matériaux dangereux si nécessaire. Respectez aussi les éventuelles réglementations nationales plus détaillées.
Recouvrez de ruban isolant les contacts exposés, et emballez la batterie de sorte qu'elle ne puisse pas se déplacer à l'intérieur de l'emballage.

Symboles

Les symboles utilisés pour l'outil sont indiqués ci-dessous.

V	volts
A	ampères
— ---	courant continu
psi	livres par pouce carré

Consignes de sécurité importantes pour la batterie

1. **Avant d'utiliser la batterie, lisez toutes les instructions et les mises en garde apposées sur (1) le chargeur de batterie, (2) la batterie et (3) le produit utilisant la batterie.**
2. **Ne démontez pas et ne modifiez pas la batterie.** Cela peut entraîner un incendie, une chaleur excessive ou une explosion.
3. **Cessez immédiatement l'utilisation si le temps de fonctionnement devient excessivement court. Il y a un risque de surchauffe, de brûlures, voire d'explosion.**
4. **Si l'électrolyte pénètre dans vos yeux, rincez-les à l'eau claire et consultez immédiatement un médecin. Il y a un risque de perte de la vue.**
5. **Ne court-circuitez pas la batterie :**
 - (1) **Ne touchez les bornes avec aucun matériau conducteur.**
 - (2) **Évitez de ranger la batterie dans un conteneur avec d'autres objets métalliques tels que clous, pièces de monnaie, etc.**
 - (3) **Évitez d'exposer la batterie à l'eau ou à la pluie. Un court-circuit de la batterie pourrait provoquer un fort courant, une surchauffe, parfois des brûlures et même une panne.**
11. **Lors de l'élimination de la batterie, retirez-la de l'outil et éliminez-la dans un endroit sûr. Respectez la réglementation locale concernant l'élimination de la batterie.**
12. **N'utilisez les batteries qu'avec les produits spécifiés par Makita.** Installer les batteries sur des produits non conformes peut entraîner un incendie, une chaleur excessive, une explosion ou une fuite d'électrolyte.
13. **Si l'outil reste inutilisé pour une période prolongée, la batterie doit en être retirée.**
14. **Pendant et après l'utilisation, la batterie peut accumuler de la chaleur, ce qui peut causer des brûlures ou des brûlures à basse température. Faites attention lors de la manipulation des batteries chaudes.**
15. **Ne touchez pas la borne de l'outil immédiatement après l'utilisation, car elle peut être assez chaude pour causer des brûlures.**
16. **Ne laissez pas les copeaux, les poussières ou la terre se coincer dans les bornes, les trous et les rainures de la batterie.** Cela peut entraîner un fonctionnement médiocre ou une panne de l'outil ou de la batterie.
17. **À moins que l'outil ne soit compatible avec l'utilisation à proximité des lignes électriques haute tension, n'utilisez pas la batterie à proximité d'une ligne électrique haute tension.** Cela peut entraîner un dysfonctionnement ou une panne de l'outil ou de la batterie.
18. **Gardez la batterie à l'écart des enfants.**

CONSERVEZ CES INSTRUCTIONS.

⚠ATTENTION : Utilisez exclusivement les batteries fabriquées par Makita. Les batteries autres que celles fabriquées par Makita ou les batteries modifiées peuvent exploser et causer un incendie, une blessure ou des dommages. Cela annule aussi la garantie Makita de l'outil et du chargeur Makita.

Conseils pour maintenir la durée de service maximale de la batterie

1. Rechargez la batterie avant qu'elle ne soit complètement déchargée. Arrêtez toujours l'outil et rechargez la batterie quand vous remarquez que la puissance de l'outil diminue.
2. Ne rechargez jamais une batterie complètement chargée. La surcharge réduit la durée de service de la batterie.
3. Chargez la batterie à une température ambiante comprise entre 10 °C et 40 °C (50 °F et 104 °F). Si la batterie est chaude, laissez-la refroidir avant de la charger.
4. Lorsque vous n'utilisez pas la batterie, retirez-la de l'outil ou du chargeur.
5. Chargez la batterie si elle est restée inutilisée pendant une période prolongée (plus de six mois).

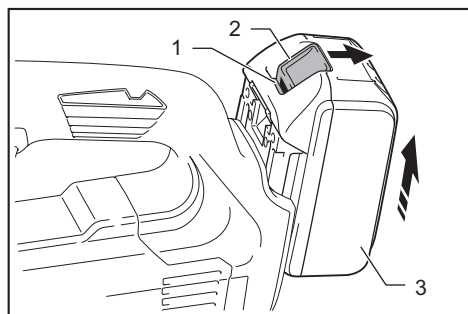
DESCRIPTION DU FONCTIONNEMENT

ATTENTION : Assurez-vous toujours que l'outil est éteint et que sa batterie est retirée avant de l'ajuster ou de vérifier son fonctionnement.

Installation ou retrait de la batterie

ATTENTION : Éteignez toujours l'outil avant d'installer ou de retirer la batterie.

ATTENTION : Tenez fermement l'outil et la batterie lors de l'installation ou du retrait de cette dernière. Si l'outil et la batterie ne sont pas tenus fermement, ils risquent de vous glisser des mains et de subir des dommages, ou encore de vous blesser.



► 1. Indicateur rouge 2. Bouton 3. Batterie

Pour retirer la batterie, faites-la glisser hors de l'outil tout en glissant le bouton qui se trouve à l'avant.

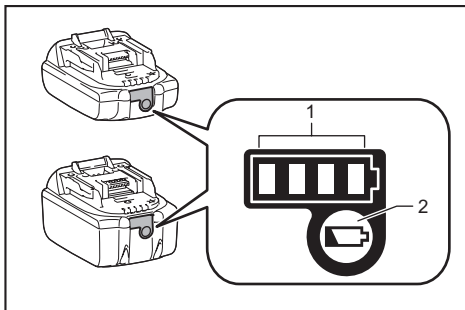
Pour installer la batterie, alignez sa languette sur la rainure pratiquée dans le boîtier et glissez la batterie en place. Insérez-la à fond jusqu'à ce que vous entendiez un léger dé clic. Si vous pouvez voir l'indicateur rouge tel qu'illustré sur la figure, cela signifie qu'elle n'est pas complètement verrouillée.

ATTENTION : Installez toujours la batterie à fond jusqu'à ce que vous ne puissiez plus voir l'indicateur rouge. Autrement elle risque de tomber accidentellement de l'outil et d'entraîner des blessures.

ATTENTION : Ne forcez pas sur la batterie pour l'installer. Si la batterie ne glisse pas facilement, c'est qu'elle n'est pas insérée correctement.

Affichage de la charge restante de la batterie

Uniquement pour les batteries avec voyant



► 1. Témoins indicateurs 2. Bouton de vérification

Appuyez sur le bouton de vérification de la batterie pour afficher la charge restante de la batterie. Les témoins indicateurs s'allument pendant quelques secondes.

Témoins indicateurs			Charge restante
Allumé	Éteint	Clignotant	
■	■	■	75 % à 100 %
■	■	□	50 % à 75 %
■	□	□	25 % à 50 %
□	□	□	0 % à 25 %
◻	□	□	Chargez la batterie.
■	□	□	La batterie a peut-être mal fonctionné.
□	□	■	

NOTE : Suivant les conditions d'utilisation et la température ambiante, il se peut que l'indication soit légèrement différente de la charge réelle.

NOTE : La première lampe témoin (à l'extrémité gauche) clignote lorsque le dispositif de protection de la batterie s'active.

Dispositif de protection de l'outil et de la batterie

L'outil est équipé d'un dispositif de protection de l'outil et de la batterie. Ce dispositif coupe automatiquement l'alimentation pour augmenter la durée de vie de l'outil et de la batterie. L'outil s'arrête automatiquement pendant l'utilisation lorsque l'outil ou la batterie se trouve dans l'une des situations suivantes :

Protection contre la surcharge

Cette protection s'active lorsque l'outil/batterie est utilisé d'une manière entraînant une consommation anormalement élevée de courant. Dans ce cas, éteignez l'outil et arrêtez l'application qui a causé la surcharge de l'outil. Rallumez ensuite l'outil pour redémarrer.

Protection contre la surchauffe

Cette protection s'active lorsque l'outil/batterie surchauffe. Le témoin clignote et l'icône d'avertissement de surchauffe s'affiche sur le manomètre. Dans cette situation, éteignez l'outil et laissez l'outil et la batterie refroidir. Puis, rallumez ensuite l'outil.

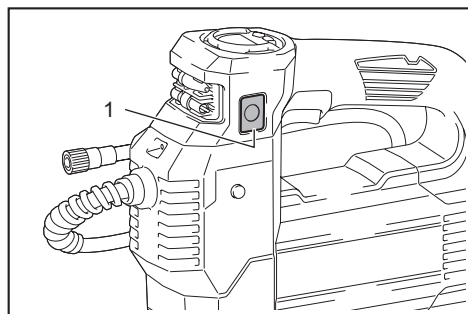
Protection contre la décharge excessive

Cette protection s'active lorsque la charge restante de la batterie devient basse. Le cas échéant, retirez la batterie de l'outil et chargez-la.

Interrupteur d'alimentation principale

MISE EN GARDE : Lorsque l'outil n'est pas utilisé, mettez toujours l'interrupteur d'alimentation principale en position d'arrêt.

ATTENTION : Lorsque vous transportez l'outil, mettez toujours l'interrupteur d'alimentation principale en position d'arrêt. Autrement, vous risqueriez d'appuyer sur la gâchette par inadvertance et de vous blesser.



► 1. Interrupteur d'alimentation principale

Pour allumer l'outil, appuyez sur l'interrupteur d'alimentation principale. Pour éteindre l'outil, appuyez encore une fois sur l'interrupteur d'alimentation principale.

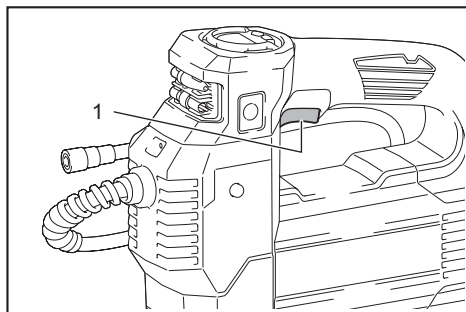
NOTE : Cet outil utilise une fonction de mise hors tension automatique. Pour éviter les démarrages accidentels, l'alimentation est coupée automatiquement si la gâchette reste non enfoncée pendant un certain temps après avoir mis l'interrupteur d'alimentation principale en position de marche.

Interrupteur

MISE EN GARDE : Avant d'insérer la batterie dans l'outil, vérifiez toujours que la gâchette fonctionne bien et revient en position d'arrêt lorsque libérée.

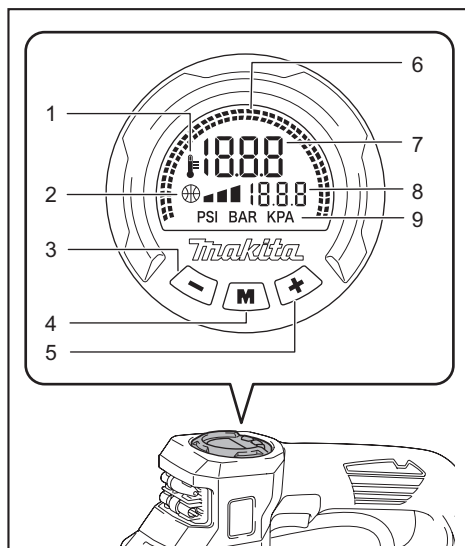
MISE EN GARDE : Ne fixez pas de ruban adhésif ou quelque chose de similaire pour maintenir la gâchette en position « ON » (marche).

Pour faire démarrer l'outil, appuyez simplement sur la gâchette. Pour l'arrêter, libérez la gâchette.



► 1. Gâchette

Manomètre



1	icône d'avertissement de surchauffe
2	Mode de gonflage
3	Bouton [-]
4	Bouton [M]
5	Bouton [+]
6	Indicateur de progression du gonflage

7	Valeur de pression actuelle
8	Valeur de pression cible
9	Unité de valeur de la pression

Si l'objet à gonfler est raccordé à l'outil, la valeur de pression actuelle de l'objet s'affichera sur le manomètre lorsque vous allumerez l'outil. Si rien n'est raccordé à l'outil, le manomètre affichera « 0 ».

Le manomètre affiche aussi la valeur de pression cible, l'unité de valeur de la pression et le mode de gonflage. Ce sont les mêmes que la dernière fois.

Lorsque vous commencez à gonfler, l'indicateur de progression du gonflage s'affiche. Le gonflage se termine lorsque l'indicateur de progression du gonflage arrive à l'extrémité droite.




Réglage de la valeur de pression cible

Appuyez sur le bouton [M] et sélectionnez l'unité de valeur de la pression. L'unité de valeur de la pression change à chaque fois que vous appuyez sur le bouton [M]. Vous pouvez choisir l'une des trois unités : PSI, BAR ou KPA.

Pour augmenter la valeur de pression cible, appuyez sur le bouton [+]. Pour diminuer la valeur de pression cible, appuyez sur le bouton [-]. Vous pouvez régler la valeur de pression cible entre 35 kPa (5 PSI) et 1 110 kPa (161 PSI).

Réglage du mode de gonflage

Appuyez sur le bouton [M] pendant trois secondes. Le mode de gonflage est modifié chaque fois que vous maintenez enfoncé le bouton [M]. Vous pouvez choisir l'une des trois modes comme suit.

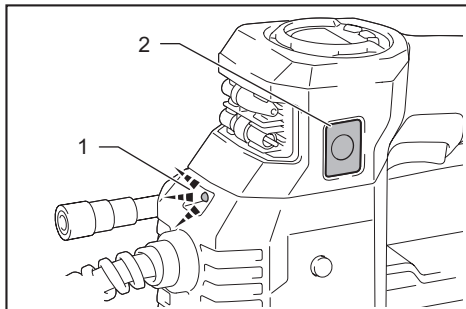
Mode	Affichage	But	Plage de pression réglable
Ballon		Pour gonfler des ballons	35 à 110 kPa (5 à 16 PSI)
Vitesse basse		Pour gonfler des objets à vitesse basse	35 à 1 110 kPa (5 à 161 PSI)
Vitesse élevée		Pour gonfler des objets à vitesse élevée	

NOTE : Lorsque vous gonflez un ballon à l'aide de l'aiguille pour ballon de sport, assurez-vous de sélectionner le mode ballon. Si un autre mode est sélectionné, le gonflage ne peut être réalisé correctement.

NOTE : Assurez-vous de sélectionner le mode vitesse basse lorsque vous gonflez un objet en utilisant un adaptateur de valve Dunlop. Si un autre mode est sélectionné, le gonflage ne peut être réalisé correctement.

Allumage de la lampe avant

Lorsque vous allumez l'outil en appuyant sur l'interrupteur d'alimentation principale, la lampe s'allume. Lorsque vous éteignez l'outil en appuyant sur l'interrupteur d'alimentation principale, la lampe s'éteint.



► 1. Lampe 2. Interrupteur d'alimentation principale

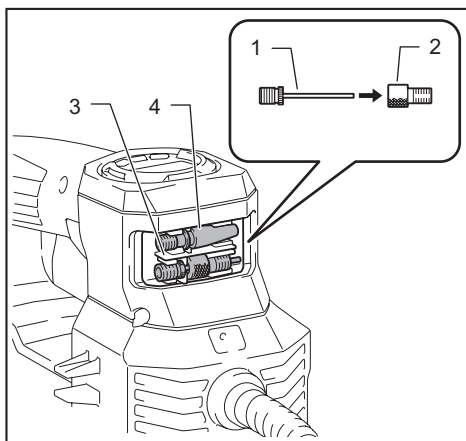
ATTENTION : Évitez de regarder directement le faisceau lumineux ou sa source.

AVIS : Lorsque l'outil surchauffe, la lampe clignote. Éteignez l'outil et laissez-le refroidir complètement avant de l'utiliser de nouveau.

NOTE : Utilisez un linge sec pour enlever les poussières sur la lentille de la lampe. Prenez garde de rayer la lentille de la lampe, car cela peut affecter son intensité d'éclairage.

Rangement de l'adaptateur

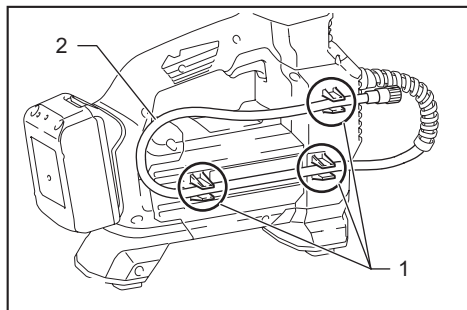
Les adaptateurs peuvent être rangés dans le support d'adaptateur de l'outil. Insérez l'aiguille pour ballon de sport dans l'adaptateur de valve Presta avant de les fixer au support d'adaptateur.



► 1. Aiguille pour ballon de sport 2. Adaptateur de valve Presta 3. Support d'adaptateur 4. Adaptateur conique

Rangement du boyau

Le boyau peut être fixé au support de boyau de l'outil.

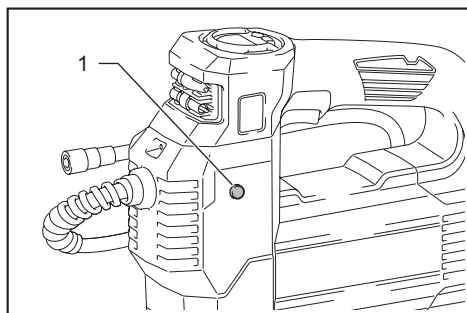


► 1. Support de boyau 2. Boyau

Bouton de libération d'air

AVIS : Pendant que l'adaptateur de valve Dunlop est raccordé à l'outil, l'air ne sort pas, même lorsque vous appuyez sur le bouton de libération d'air.

Lorsque l'objet est trop gonflé, appuyez sur le bouton de libération d'air pour laisser s'échapper l'air.



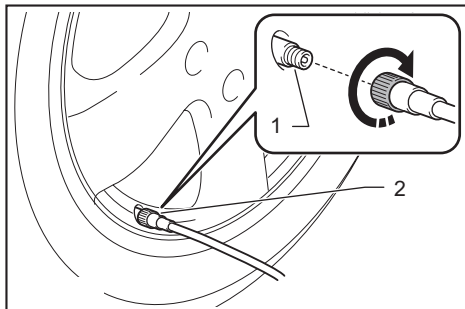
► 1. Bouton de libération d'air

UTILISATION

NOTE : Les adaptateurs standard varient selon le pays.

Utilisation de l'adaptateur de valve Schrader

1. Fixez le mandrin pneumatique au corps de valve.

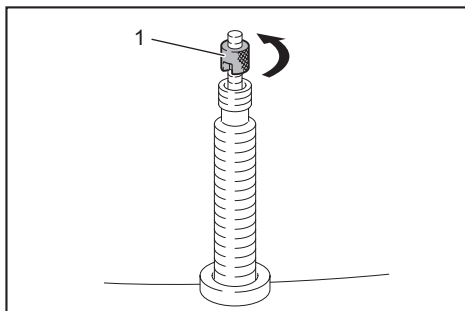


► 1. Corps de valve 2. Mandrin pneumatique

2. Allumez l'outil, puis réglez le manomètre sur une valeur de pression qui convient au pneu.
3. Maintenez la gâchette enfoncée jusqu'à ce que l'outil s'arrête. Le pneu est gonflé à la pression spécifiée.

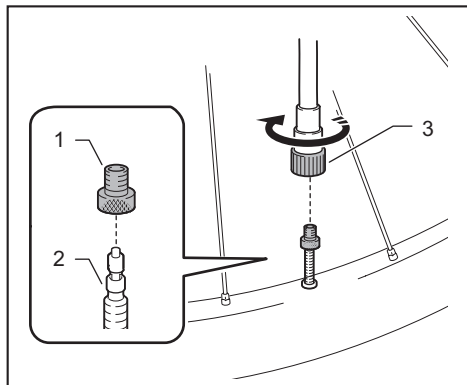
Utilisation de l'adaptateur de valve Presta

1. Desserrez le contre-écrou sur le corps de valve.



► 1. Contre-écrou

- Fixez l'adaptateur de valve Presta au corps de valve, puis fixez le mandrin pneumatique à l'adaptateur de valve Presta.



- 1. Adaptateur de valve Presta 2. Corps de valve
3. Mandrin pneumatique

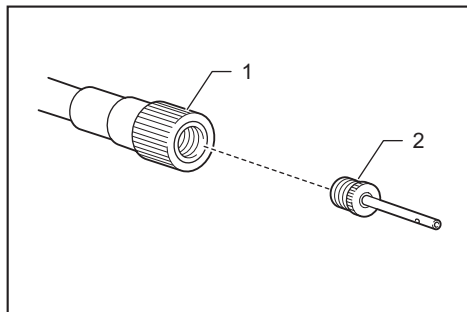
- Allumez l'outil, puis réglez le manomètre sur une valeur de pression qui convient au pneu.
- Maintenez la gâchette enfoncée jusqu'à ce que l'outil s'arrête. Le pneu est gonflé à la pression spécifiée.
- Retirez le mandrin pneumatique et l'adaptateur de valve Presta, puis serrez le contre-écrou.

Utilisation de l'aiguille pour ballon de sport

AVIS : Lorsque vous gonflez un ballon à l'aide de l'aiguille pour ballon de sport, assurez-vous de sélectionner le mode ballon. Si un autre mode est sélectionné, le gonflage ne peut être réalisé correctement.

Pour gonfler les ballons de sport, utilisez l'aiguille pour ballon de sport.

- Fixez l'aiguille pour ballon de sport au mandrin pneumatique.



- 1. Mandrin pneumatique 2. Aiguille pour ballon de sport

- Insérez l'aiguille pour ballon de sport dans le trou du ballon.

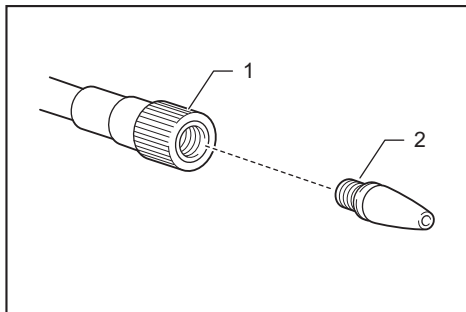
- Allumez l'outil.
- Réglez le mode de gonflage au mode ballon et établissez la valeur de pression appropriée pour le ballon en utilisant le manomètre.
- Maintenez la gâchette enfoncée jusqu'à ce que l'outil s'arrête. Le ballon est gonflé à la pression spécifiée.

Utilisation de l'adaptateur conique

ATTENTION : Prenez soin de ne pas trop gonfler le flotteur.

Pour gonfler les flotteurs, utilisez l'adaptateur conique.

- Fixez l'adaptateur conique au mandrin pneumatique.



- 1. Mandrin pneumatique 2. Adaptateur conique

- Insérez l'adaptateur conique dans le trou du flotteur.
- Allumez l'outil.
- Gonflez le flotteur en appuyant sur la gâchette tout en vérifiant l'état du flotteur.

AVIS : Lorsque vous gonflez un flotteur, ne vous reportez pas à la valeur de pression actuelle sur le manomètre. Le manomètre n'affiche pas une valeur de pression actuelle précise lorsque la pression du flotteur est inférieure à 35 kPa (5 PSI).

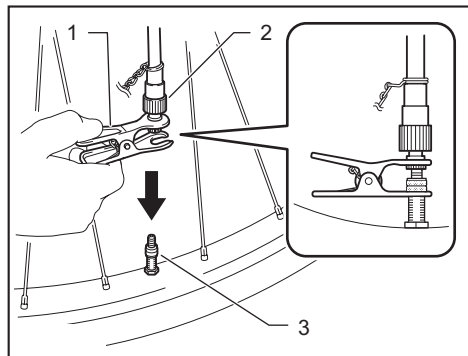
Utilisation de l'adaptateur de valve Dunlop

Spécifique au pays

AVIS : Assurez-vous de sélectionner le mode vitesse basse lorsque vous gonflez un objet en utilisant un adaptateur de valve Dunlop. Si un autre mode est sélectionné, le gonflage ne peut être réalisé correctement.

- Insérez l'adaptateur de valve Dunlop dans le mandrin pneumatique.

2. Fixez l'adaptateur de valve Dunlop au corps de valve tout en ouvrant l'adaptateur de valve Dunlop.



- 1. Adaptateur de valve Dunlop 2. Mandrin pneumatique 3. Corps de valve

3. Allumez l'outil.
4. Gonflez le pneu en appuyant sur la gâchette tout en vérifiant l'état du pneu.

AVIS : Lors de l'utilisation de l'adaptateur de valve Dunlop, le manomètre n'affichera pas une valeur précise, en raison des caractéristiques de la valve. Lors du gonflage d'un pneu, ne tenez pas compte de la valeur indiquée sur le manomètre, mais vérifiez plutôt l'état du pneu.

Si l'outil s'arrête avant que le pneu n'atteigne la pression d'air désirée, ajustez la valeur de pression, puis gonflez de nouveau le pneu.

ENTRETIEN

ATTENTION : Assurez-vous toujours que l'outil est hors tension et que la batterie est retirée avant d'y effectuer tout travail d'inspection ou d'entretien.

AVIS : N'utilisez jamais d'essence, de benzine, de solvant, d'alcool ou autres produits similaires. Une décoloration, une déformation ou la formation de fissures peuvent en découler.

Pour maintenir la SÉCURITÉ et la FIABILITÉ du produit, les réparations et tout autre travail d'entretien ou de réglage doivent être effectués dans un centre de service après-vente autorisé ou une usine Makita, exclusivement avec des pièces de rechange Makita.

GARANTIE LIMITÉE MAKITA

Pour les conditions de garantie en vigueur qui s'appliquent à ce produit, veuillez vous reporter à la feuille de garantie en annexe. Si la feuille de garantie en annexe n'est pas disponible, reportez-vous aux détails de la garantie présentés sur le site Web de votre pays, ci-dessous.

États-Unis d'Amérique: www.makitatools.com

Canada: www.makita.ca

Autres pays: www.makita.com

ACCESSOIRES EN OPTION

ATTENTION : Ces accessoires ou pièces complémentaires sont recommandés pour l'utilisation avec l'outil Makita spécifié dans ce manuel. L'utilisation de tout autre accessoire ou pièce complémentaire peut comporter un risque de blessure. N'utilisez les accessoires ou pièces complémentaires qu'aux fins auxquelles ils ont été conçus.

Si vous désirez obtenir plus de détails sur ces accessoires, veuillez contacter le centre de service après-vente Makita le plus près.

- Chargeur et batterie authentiques Makita

NOTE : Certains éléments de la liste peuvent être inclus avec l'outil comme accessoires standards. Ils peuvent varier suivant les pays.

ESPECIFICACIONES

Modelo:		DMP181
Longitud total	con el modelo BL1815N	297 mm (11-3/4")
	con el modelo BL1860B	316 mm (12-1/2")
Presión de aire máxima		1 110 kPa (161 PSI)
Ciclo de funcionamiento		10 minutos encendido / 5 minutos apagado
Tensión nominal		18 V c.c.
Peso neto		2,5 kg - 2,8 kg (5,5 lbs - 6,2 lbs)

- Debido a nuestro continuo programa de investigación y desarrollo, las especificaciones aquí incluidas están sujetas a cambio sin previo aviso.
- Las especificaciones y el cartucho de batería pueden variar de país a país.
- El peso puede variar en función de los accesorios, incluido el cartucho de batería. En la tabla se muestra la combinación de peso más ligero y más pesado conforme al procedimiento 01/2014 de EPTA.

Cartucho de batería y cargador aplicables

Cartucho de batería	BL1815N / BL1820B / BL1830B / BL1840B / BL1850B / BL1860B
Cargador	DC18RC / DC18RD / DC18RE / DC18SD / DC18SE / DC18SF / DC18SH

- Algunos de los cartuchos de batería y cargadores enumerados arriba podrían no estar disponibles dependiendo de su área de residencia.

⚠ ADVERTENCIA: Use únicamente los cartuchos de batería y los cargadores indicados arriba. El uso de cualquier otro cartucho de batería y cargador podría ocasionar una lesión y/o un incendio.

Uso pretendido

Esta herramienta es para inflar neumáticos, balones deportivos o flotadores pequeños.

ADVERTENCIAS DE SEGURIDAD

Advertencias generales de seguridad para herramientas eléctricas

⚠ ADVERTENCIA: Lea todas las advertencias de seguridad, instrucciones, ilustraciones y especificaciones suministradas con esta herramienta eléctrica. El no seguir todas las instrucciones indicadas a continuación podría ocasionar una descarga eléctrica, incendio y/o lesiones graves.

Conserve todas las advertencias e instrucciones como referencia en el futuro.

En las advertencias, el término "herramienta eléctrica" se refiere a su herramienta eléctrica de funcionamiento con conexión a la red eléctrica (con cableado eléctrico) o herramienta eléctrica de funcionamiento a batería (inalámbrica).

Seguridad en el área de trabajo

1. **Mantenga el área de trabajo limpia y bien iluminada.** Las áreas oscuras o desordenadas son propensas a accidentes.
2. **No utilice las herramientas eléctricas en atmósferas explosivas, tal como en la presencia de líquidos, gases o polvo inflamables.** Las herramientas eléctricas crean chispas que pueden prender fuego al polvo o los humos.
3. **Mantenga a los niños y curiosos alejados mientras utiliza una herramienta eléctrica.** Las distracciones le pueden hacer perder el control.

Seguridad eléctrica

1. **Las clavijas de conexión de las herramientas eléctricas deberán encajar perfectamente en la toma de corriente. No modifique nunca la clavija de conexión de ninguna forma. No utilice ninguna clavija adaptadora con herramientas eléctricas que tengan conexión a tierra (puesta a tierra).** La utilización de clavijas no modificadas y que encajen perfectamente en la toma de corriente reducirá el riesgo de que se produzca una descarga eléctrica.
2. **Evite tocar con el cuerpo superficies conectadas a tierra o puestas a tierra tales como tubos, radiadores, cocinas y refrigeradores.** Si su cuerpo es puesto a tierra o conectado a tierra existirá un mayor riesgo de que sufra una descarga eléctrica.

3. **No exponga las herramientas eléctricas a la lluvia ni a condiciones húmedas.** La entrada de agua en una herramienta eléctrica aumentará el riesgo de que se produzca una descarga eléctrica.
4. **No maltrate el cable. Nunca utilice el cable para transportar, jalar o desconectar la herramienta eléctrica.** Mantenga el cable alejado del calor, aceite, objetos cortantes o piezas móviles. Los cables dañados o enredados aumentan el riesgo de sufrir una descarga eléctrica.
5. **Cuando utilice una herramienta eléctrica en exteriores, utilice un cable de extensión apropiado para uso en exteriores.** La utilización de un cable apropiado para uso en exteriores reducirá el riesgo de que se produzca una descarga eléctrica.
6. **Si no es posible evitar usar una herramienta eléctrica en condiciones húmedas, utilice un alimentador protegido con interruptor de circuito de falla a tierra (ICFT).** El uso de un ICFT reduce el riesgo de descarga eléctrica.
7. **Las herramientas eléctricas pueden producir campos electromagnéticos (CEM) que no son dañinos para el usuario.** Sin embargo, si los usuarios tienen marcapasos y otros dispositivos médicos similares, deberán consultar al fabricante de su dispositivo y/o a su médico antes de operar esta herramienta eléctrica.
7. **Si dispone de dispositivos para la conexión de equipos de extracción y recolección de polvo, asegúrese de conectarlos y utilizarlos debidamente.** Hacer uso de la recolección de polvo puede reducir los riesgos relacionados con el polvo.
8. **No permita que la familiaridad adquirida debido al uso frecuente de las herramientas haga que se sienta confiado e ignore los principios de seguridad de las herramientas.** Un descuido podría ocasionar una lesión grave en una fracción de segundo.
9. **Utilice siempre gafas protectoras para proteger sus ojos de lesiones al usar herramientas eléctricas. Las gafas deben cumplir con la Norma ANSI Z87.1 en EUA.** Es responsabilidad del empleador imponer el uso de equipos protectores de seguridad apropiados a los operadores de la herramienta y demás personas cerca del área de trabajo.

Mantenimiento y uso de la herramienta eléctrica

Seguridad personal

1. **Manténgase alerta, preste atención a lo que está haciendo y utilice su sentido común cuando opere una herramienta eléctrica. No utilice una herramienta eléctrica cuando esté cansado o bajo la influencia de drogas, alcohol o medicamentos.** Un momento de distracción mientras opera las herramientas eléctricas puede terminar en una lesión grave.
2. **Use equipo de protección personal. Póngase siempre protección para los ojos.** El equipo protector tal como máscara contra el polvo, zapatos de seguridad antiderrapantes, casco rígido y protección para oídos utilizado en las condiciones apropiadas reducirá el riesgo de lesiones.
3. **Impida el encendido accidental. Asegúrese de que el interruptor esté en la posición de apagado antes de conectar a la alimentación eléctrica y/o de colocar el cartucho de batería, así como al levantar o cargar la herramienta.** Cargar las herramientas eléctricas con su dedo en el interruptor o enchufarlas con el interruptor encendido hace que los accidentes sean comunes.
4. **Retire cualquier llave de ajuste o llave de apriete antes de encender la herramienta.** Una llave de ajuste o llave de apriete que haya sido dejada puesta en una parte giratoria de la herramienta eléctrica puede ocasionar alguna lesión.
5. **No utilice la herramienta donde no alcance. Mantenga los pies sobre suelo firme y el equilibrio en todo momento.** Esto permite un mejor control de la herramienta eléctrica en situaciones inesperadas.
6. **Use una vestimenta apropiada. No use ropa suelta ni alhajas. Mantenga el cabello, la ropa y los guantes alejados de las piezas móviles.** Las prendas de vestir holgadas, las alhajas y el cabello largo suelto podrían engancharse en estas piezas móviles.
1. **No fuerce la herramienta eléctrica. Utilice la herramienta eléctrica correcta para su aplicación.** La herramienta eléctrica adecuada hará un mejor trabajo y de forma más segura a la velocidad para la que ha sido fabricada.
2. **No utilice la herramienta eléctrica si el interruptor no la enciende y apaga.** Cualquier herramienta eléctrica que no pueda ser controlada con el interruptor es peligrosa y debe ser reemplazada.
3. **Desconecte la clavija de la fuente de alimentación y/o retire la batería de la herramienta eléctrica, en caso de ser removible, antes de realizar ajustes, cambiar accesorios o almacenar las herramientas eléctricas.** Tales medidas de seguridad preventivas reducirán el riesgo de poner en marcha la herramienta eléctrica de forma accidental.
4. **Guarde la herramienta eléctrica que no use fuera del alcance de los niños y no permita que las personas que no están familiarizadas con ella o con las instrucciones la operen.** Las herramientas eléctricas son peligrosas en manos de personas que no saben operarlas.
5. **Dé mantenimiento a las herramientas eléctricas y los accesorios. Compruebe que no haya piezas móviles desalineadas o estancadas, piezas rotas y cualquier otra condición que pueda afectar al funcionamiento de la herramienta eléctrica. Si la herramienta eléctrica está dañada, haga que la reparen antes de utilizarla.** Muchos de los accidentes son ocasionados por no dar un mantenimiento adecuado a las herramientas eléctricas.
6. **Mantenga las herramientas de corte limpias y filosas.** Si recibe un mantenimiento adecuado y tiene los bordes afilados, es probable que la herramienta se atasque menos y sea más fácil controlarla.
7. **Utilice la herramienta eléctrica, los accesorios y las brocas de acuerdo con estas instrucciones, considerando las condiciones laborales y el trabajo a realizar.** Si utiliza la herramienta eléctrica para realizar operaciones distintas de las indicadas, podrá presentarse una situación peligrosa.

Advertencias de seguridad para el inflador inalámbrico

8. **Mantenga los mangos y superficies de asiento secos, limpios y libres de aceite o grasa.** Los mangos y superficies de asiento resbalosos no permiten una manipulación segura ni el control de la herramienta en situaciones inesperadas.
9. **Cuando vaya a utilizar esta herramienta, evite usar guantes de trabajo de tela ya que éstos podrían atorarse.** Si los guantes de trabajo de tela llegan a atorarse en las piezas móviles, esto podría ocasionar lesiones personales.

Uso y cuidado de la herramienta a batería

1. **Recargue sólo con el cargador especificado por el fabricante.** Un cargador que es adecuado para un solo tipo de batería puede generar riesgo de incendio al ser utilizado con otra batería.
2. **Utilice las herramientas eléctricas solamente con las baterías designadas específicamente para ellas.** La utilización de cualquier otra batería puede crear un riesgo de lesiones o incendio.
3. **Cuando no se esté usando la batería, manténgala alejada de otros objetos metálicos, como sujetapapeles (clips), monedas, llaves, clavos, tornillos u otros objetos pequeños de metal los cuales pueden actuar creando una conexión entre las terminales de la batería.** Originar un cortocircuito en las terminales puede causar quemaduras o incendios.
4. **En condiciones abusivas, podrá escapar líquido de la batería; evite tocarlo. Si lo toca accidentalmente, enjuague con agua. Si hay contacto del líquido con los ojos, busque asistencia médica.** Puede que el líquido expulsado de la batería cause irritación o quemaduras.
5. **No utilice una herramienta ni una batería que estén dañadas o hayan sido modificadas.** Las baterías dañadas o modificadas podrían ocasionar una situación inesperada provocando un incendio, explosión o riesgo de lesiones.
6. **No exponga la herramienta ni la batería al fuego ni a una temperatura excesiva.** La exposición al fuego o a una temperatura superior a los 130 °C podría causar una explosión.
7. **Siga todas las instrucciones para la carga y evite cargar la herramienta o la batería fuera del rango de temperatura especificado en las instrucciones.** Una carga inadecuada o a una temperatura fuera del rango especificado podría dañar la batería e incrementar el riesgo de incendio.

Servicio

1. **Haga que una persona calificada repare la herramienta eléctrica utilizando sólo piezas de repuesto idénticas.** Esto asegura que se mantenga la seguridad de la herramienta eléctrica.
2. **Nunca dé servicio a baterías que estén dañadas.** El servicio a las baterías solamente deberá ser efectuado por el fabricante o un agente de servicio autorizado.
3. **Siga las instrucciones para la lubricación y cambio de accesorios.**
4. **No modifique ni intente reparar el aparato ni el paquete de baterías salvo como se indique en las instrucciones para el uso y cuidado.**

1. **Al inflar objetos, conecte firmemente el mandril neumático, el adaptador y la válvula.** De lo contrario, el objeto, la manguera, el mandril neumático o el adaptador pueden resultar dañados y producir lesiones a las personas.
2. **Purgue despacio la presión de aire. Al extraer la manguera después de inflar algún objeto, sujete firmemente el objeto, la manguera y el mandril neumático.** El objeto, el mandril neumático o el adaptador pueden salir despedidos debido al aire de escape y causar lesiones.
3. **No infle el objeto más allá de la presión máxima especificada para el objeto.** De lo contrario, la herramienta o el objeto pueden resultar dañados y producir lesiones a las personas.
4. **No utilice la herramienta por encima de la presión de salida máxima de la herramienta.** Si se usa la herramienta a una presión de salida superior a la presión de salida máxima de la herramienta, el objeto o la herramienta podrían estallar.
5. **Infle únicamente aquellos objetos que hayan sido diseñados por el fabricante para ser inflados, tales como neumáticos, balones deportivos o pequeños flotadores.** Si se inflan otros objetos, podrían resultar dañados y podrían producirse lesiones.
6. **Al inflar objetos, compruebe el indicador de presión y el estado de la herramienta y del objeto, y verifique que no haya fugas de aire.** De lo contrario, la herramienta o el objeto pueden resultar dañados y producir lesiones.
7. **Cuando transporte la herramienta, sosténgala por el mango. No la sostenga por la manguera ni tire de esta.** La herramienta podría resultar dañada y causar lesiones.
8. **Después de inflar el objeto, compruebe la presión de aire mediante un aparato de medida calibrado y fiable.** Utilice el indicador de presión de la herramienta únicamente como referencia.
9. **Después de usar la herramienta durante 10 minutos seguidos, deje de usar la herramienta durante otros 5 minutos para que se enfríe. No utilice la herramienta durante más tiempo del permitido para el funcionamiento continuo.** De lo contrario, la herramienta podría resultar dañada y causar lesiones.
10. **No utilice la herramienta sobre la arena o sobre superficies con polvo.** Podrían entrar partículas en el interior de la herramienta y causar una avería.
11. **Nunca apunte la salida de la manguera hacia usted ni hacia otras personas.** Podrían salir objetos despedidos y causar lesiones.
12. **No apunte la salida de la manguera hacia el polvo o hacia partículas similares.** El polvo puede dispersarse y causar lesiones.
13. **No infle objetos de gran capacidad.** Si infla un objeto de gran capacidad, la herramienta podría recalentarse en extremo y quemarle la piel.

14. **No toque la herramienta, la manguera, el mandril neumático ni el adaptador justo después de inflar objetos.** Las partes metálicas podrían recalentarse en extremo y quemarle la piel.
15. **No use la herramienta con las manos mojadas.**
16. **Asegúrese de que la manguera no se enrede.** Si la manguera se enreda, podría hacerle perder el equilibrio y causar lesiones.
17. **Nunca deje la herramienta sin atender cuando la manguera esté acoplada al objeto o mientras la herramienta está en marcha.**
18. **No use la herramienta como un dispositivo respiratorio.**
19. **No utilice la herramienta para rociar productos químicos.** Podría dañarse los pulmones al inhalar gases tóxicos.
20. **Opere la herramienta en un área abierta y alejada al menos 50 cm (20") de cualquier pared u objeto que pudiera restringir el flujo de aire hacia los orificios de ventilación.**
21. **No desensamble la herramienta.**
22. **Utilice únicamente accesorios estándar suministrados por Makita.** El uso de cualquier otro accesorio o aditamento puede ocasionar riesgo de lesiones personales.
23. **Esta herramienta está exclusivamente diseñada para uso doméstico.**
24. **Antes de inflar un neumático, asegúrese de que no hay raspaduras o grietas en el neumático.** El neumático dañado podría explotar cuando se infla y causar lesiones.
25. **Mientras infla un neumático, no se quede frente a la cara lateral del mismo.**

⚠ ADVERTENCIA: Este aparato no se destina para utilizarse por personas (incluyendo niños) cuyas capacidades físicas, sensoriales o mentales sean diferentes o estén reducidas o carezcan de experiencia o de conocimiento, a menos que dichas personas reciban una supervisión o capacitación para el funcionamiento del aparato por una persona responsable de su seguridad. Los niños deben supervisarse para asegurar que ellos no empleen los aparatos como juguete.

Símbolos

A continuación se muestran los símbolos utilizados para la herramienta.

V	volts o voltios
A	amperes
— ---	corriente directa o continua
psi	libras por pulgada cuadrada

Instrucciones importantes de seguridad para el cartucho de batería

1. **Antes de utilizar el cartucho de batería, lea todas las instrucciones e indicaciones de precaución en el (1) el cargador de batería, (2) la batería, y (3) el producto con el que se utiliza la batería.**
2. **No desarme ni modifique el cartucho de batería.** Podría ocurrir un incendio, calor excesivo o una explosión.
3. **Si el tiempo de operación se ha acortado en exceso, deje de operar de inmediato.** Podría correrse el riesgo de sobrecalentamiento, posibles quemaduras e incluso explosión.
4. **En caso de que ingresen electrolitos en sus ojos, enjuáguelos bien con agua limpia y consulte de inmediato a un médico.** Esto podría ocasionar pérdida de visión.
5. **Evite cortocircuitar el cartucho de batería:**
 - (1) **No toque las terminales con ningún material conductor.**
 - (2) **Evite guardar el cartucho de batería en un cajón junto con otros objetos metálicos, tales como clavos, monedas, etc.**
 - (3) **No exponga el cartucho de batería al agua o la lluvia.**

Un cortocircuito en la batería puede causar un flujo grande de corriente, sobrecalentamiento, posibles quemaduras e incluso una descompostura.
6. **No guarde ni use la herramienta y el cartucho de batería en lugares donde la temperatura podría alcanzar -20 °C (-4 °F) o menos, o 50 °C (122 °F) o más.**
7. **Nunca incinere el cartucho de batería incluso en el caso de que esté dañado seriamente o ya no sirva en absoluto.** El cartucho de batería puede explotar si se tira al fuego.
8. **No clave, corte, aplaste, lance o deje caer el cartucho de batería, ni golpee un objeto sólido contra el cartucho de batería.** Dicha acción podría resultar en un incendio, calor excesivo o en una explosión.
9. **No use una batería dañada.**
10. **Las baterías de ión de litio están sujetas a los requisitos reglamentarios en materia de bienes peligrosos.**

Para el transporte comercial, por ej., mediante terceros o agentes de transporte, se deben tomar en cuenta los requisitos especiales relativos al empaque y el etiquetado.

Para efectuar los preparativos del artículo que se va a enviar, se requiere consultar a un experto en materiales peligrosos. Si es posible, consulte además otras regulaciones nacionales más detalladas. Pegue o cubra con cinta adhesiva los contactos abiertos y empaque la batería de manera que ésta no pueda moverse dentro del paquete.
11. **Para deshacerse del cartucho de batería, sáquelo de la herramienta y deséchelo en un lugar seguro.** Siga las regulaciones locales relacionadas al desecho de las baterías.

12. **Utilice las baterías únicamente con los productos especificados por Makita.** Instalar las baterías en productos que no cumplan con los requisitos podría ocasionar un incendio, un calentamiento excesivo, una explosión o una fuga de electrolito.
13. **Si no se utiliza la herramienta por un período largo, debe extraerse la batería de la herramienta.**
14. **El cartucho de batería podría absorber calor durante y después de su uso, lo que ocasionaría quemaduras o quemaduras a baja temperatura.** Tenga cuidado con la manipulación de los cartuchos de batería que estén calientes.
15. **No toque el terminal de la herramienta inmediatamente después de su uso, ya que el mismo podría estar lo suficientemente caliente como para provocar quemaduras.**
16. **No permita que las rebabas, el polvo o la tierra queden atrapados en los terminales, orificios y ranuras del cartucho de batería.** Esto podría ocasionar un desempeño deficiente o descompostura de la herramienta o del cartucho de batería.
17. **No utilice el cartucho de batería cerca de cables eléctricos de alto voltaje, a menos que la herramienta sea compatible con el uso cercano a estos cables eléctricos de alto voltaje.** Esto podría ocasionar una avería o descompostura de la herramienta o del cartucho de batería.
18. **Mantenga la batería alejada de los niños.**

GUARDE ESTAS INSTRUCCIONES.

⚠PRECAUCIÓN: Utilice únicamente baterías originales de Makita. El uso de baterías no originales de Makita, o de baterías alteradas, puede ocasionar que las baterías exploten causando un incendio, lesiones personales y daños. Asimismo, esto invalidará la garantía de Makita para la herramienta y el cargador Makita.

Consejos para alargar al máximo la vida útil de la batería

1. **Cargue el cartucho de batería antes de que se descargue completamente. Pare siempre la operación y cargue el cartucho de batería cuando note menos potencia en la herramienta.**
2. **No cargue nunca un cartucho de batería que esté completamente cargado.** La sobrecarga acortará la vida de servicio de la batería.
3. **Cargue el cartucho de batería a una temperatura ambiente de 10 °C - 40 °C (50 °F - 104 °F).** Si un cartucho de batería está caliente, déjelo enfriar antes de cargarlo.
4. **Cuando no utilice el cartucho de batería, sáquelo de la herramienta o del cargador.**
5. **Cargue el cartucho de batería si no va a utilizarlo durante un periodo prolongado (más de seis meses).**

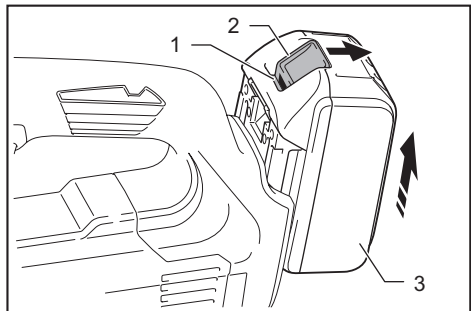
DESCRIPCIÓN DEL FUNCIONAMIENTO

⚠PRECAUCIÓN: Asegúrese siempre de que la herramienta esté apagada y el cartucho de batería haya sido extraído antes de realizar cualquier ajuste o comprobación en la herramienta.

Instalación o extracción del cartucho de batería

⚠PRECAUCIÓN: Apague siempre la herramienta antes de colocar o quitar el cartucho de batería.

⚠PRECAUCIÓN: Sujete la herramienta y el cartucho de la batería con firmeza al colocar o quitar el cartucho de batería. Si no se sujeta con firmeza la herramienta y el cartucho de batería, puede ocasionar que se resbalen de sus manos causando daños a la herramienta y al cartucho de batería, así como lesiones a la persona.



► 1. Indicador rojo 2. Botón 3. Cartucho de batería

Para quitar el cartucho de batería, deslícelo de la herramienta mientras desliza el botón sobre la parte delantera del cartucho.

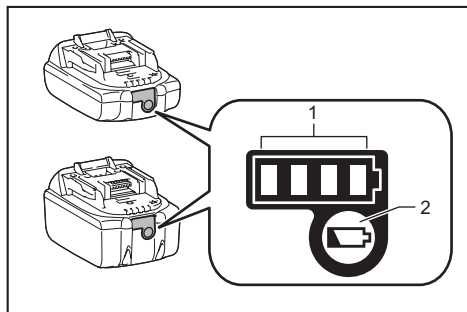
Para instalar el cartucho de batería, alinee la lengüeta sobre el cartucho de batería con la ranura en la carcasa y deslícela hasta su lugar. Insértelo por completo hasta que se fije en su lugar con un pequeño clic. Si puede ver el indicador rojo como se muestra en la ilustración, este no ha quedado asegurado por completo.

⚠PRECAUCIÓN: Introduzca siempre completamente el cartucho de batería hasta que el indicador rojo no pueda verse. Si no, podría accidentalmente salirse de la herramienta y caer al suelo causando una lesión a usted o alguien a su alrededor.

⚠PRECAUCIÓN: No instale el cartucho de batería a la fuerza. Si el cartucho no se desliza al interior fácilmente, se debe a que no está siendo insertado correctamente.

Indicación de la capacidad restante de la batería

Únicamente para cartuchos de batería con el indicador



► 1. Luces indicadoras 2. Botón de verificación

Oprima el botón de verificación en el cartucho de la batería para que indique la capacidad restante de la batería. Las luces indicadoras se iluminarán por algunos segundos.

Luces indicadoras			Capacidad restante
Iluminadas	Apagadas	Parpadeando	
■ ■ ■ ■	□ □ □ □	▬	75% a 100%
■ ■ ■ □	□ □ □ □	▬	50% a 75%
■ ■ □ □	□ □ □ □	▬	25% a 50%
■ □ □ □	□ □ □ □	▬	0% a 25%
▬ □ □ □	□ □ □ □	▬	Cargar la batería.
■ ■ □ □	□ □ □ □	▬	La batería pudo haber funcionado mal.
□ □ ■ ■	□ □ □ □	▬	

NOTA: Dependiendo de las condiciones de uso y la temperatura ambiente, la indicación podrá diferir ligeramente de la capacidad real.

NOTA: La primera luz indicadora (extrema izquierda) parpadeará cuando el sistema de protección de batería esté en funcionamiento.

Sistema de protección para la herramienta/batería

La herramienta está equipada con un sistema de protección para la herramienta/batería. Este sistema corta automáticamente la alimentación para prolongar la vida de la herramienta y la batería. La herramienta se detendrá automáticamente durante la operación si la herramienta o la batería se someten a una de las siguientes condiciones:

Protección contra sobrecarga

Esta protección funciona cuando la herramienta/batería se está utilizando de una manera que causa que consuma una cantidad de corriente inusualmente alta. En este caso, apague la herramienta y detenga la aplicación que causó que la herramienta se sobrecargara. Luego encienda la herramienta para volver a arrancarla.

Protección contra sobrecalentamiento

Esta protección funciona solo cuando la herramienta/batería se sobrecalientan. La lámpara parpadea y el icono de advertencia de sobrecalentamiento se muestra en el indicador de presión. En este caso, apague la herramienta y deje que la herramienta y la batería se enfríen. Luego, encienda la herramienta nuevamente.

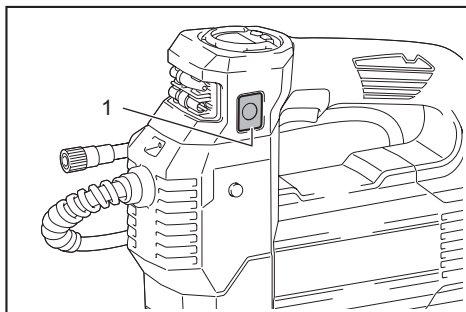
Protección en caso de sobredescarga

Esta protección funciona cuando la capacidad restante de la batería disminuye. En esta situación, extraiga la batería de la herramienta y cárguela.

Interruptor de alimentación principal

⚠ADVERTENCIA: Desactive siempre el interruptor de alimentación principal cuando no vaya a utilizar la herramienta.

⚠PRECAUCIÓN: Para trasladar la herramienta, apáguela oprimiendo el interruptor de alimentación principal. De lo contrario, si el gatillo interruptor se acciona accidentalmente, podría causar lesiones.



► 1. Interruptor de alimentación principal

Para encender la herramienta, oprima el interruptor de alimentación principal. Para apagar la herramienta, oprima nuevamente el interruptor de alimentación principal.

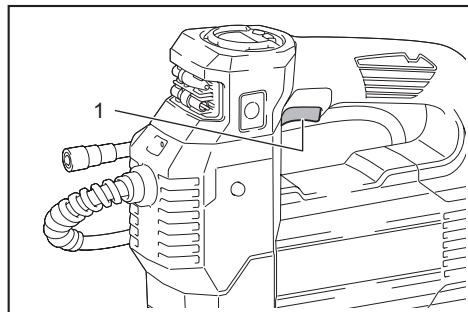
NOTA: Esta herramienta emplea la función de apagado automático. Para evitar un arranque accidental, el interruptor de alimentación principal se desactivará automáticamente cuando el gatillo interruptor no haya sido jalado durante cierto periodo después de haber activado el interruptor de alimentación principal.

Accionamiento del interruptor

⚠️ ADVERTENCIA: Antes de insertar el cartucho de batería en la herramienta, compruebe siempre y cerciórese de que el gatillo interruptor se acciona debidamente y que vuelve a la posición "OFF" (apagado) cuando lo suelta.

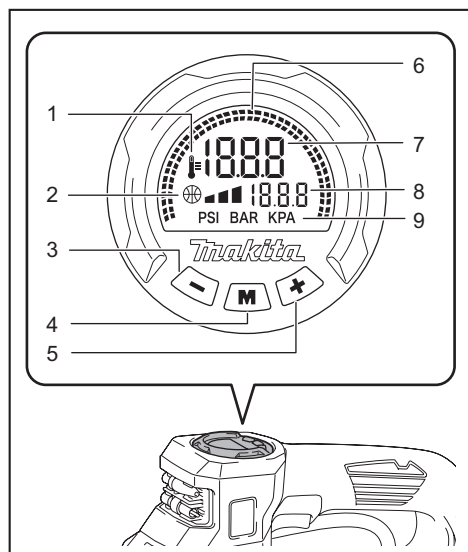
⚠️ ADVERTENCIA: No coloque una cinta o algo similar para mantener el gatillo interruptor en la posición de "ON" (encendido).

Para poner en marcha la herramienta, simplemente apriete el gatillo interruptor. Suelte el gatillo interruptor para parar.



► 1. Gatillo interruptor

Indicador de presión



1	Icono de advertencia de sobrecalentamiento
2	Modo de inflado
3	Botón [-]
4	Botón [M]

5	Botón [+]
6	Indicador de avance de inflado
7	Valor de presión actual
8	Valor de presión objetivo
9	Unidad del valor de presión

Si el objeto que se desea inflar está conectado a la herramienta, el valor de presión actual del objeto aparece indicado en el indicador de presión al encender la herramienta. Si no hay ningún objeto conectado a la herramienta, en el indicador de presión aparecerá un "0".

El indicador de presión también muestra el valor de presión objetivo, la unidad del valor de presión, y el modo de inflado. Son los mismos que la última vez.

Cuando inicie el inflado, se muestra el indicador de avance de inflado. El inflado concluye cuando el indicador de avance de inflado llegue al extremo derecho.

Ajuste del valor de presión objetivo

Presione el botón [M], y seleccione la unidad del valor de presión. La unidad del valor de presión cambia cada vez que oprime el botón [M]. Puede seleccionar una de las tres unidades: PSI, BAR o KPA.

Para aumentar el valor de presión objetivo, oprima el botón [+]. Para disminuir el valor de presión objetivo, oprima el botón [-]. Se puede ajustar el valor de presión objetivo entre 35 kPa (5 PSI) y 1 110 kPa (161 PSI).

Ajuste del modo de inflado

Oprima el botón [M] durante 3 segundos. El modo de inflado cambia cada vez que deja oprimido el botón [M]. Puede seleccionar uno de los tres modos como sigue.

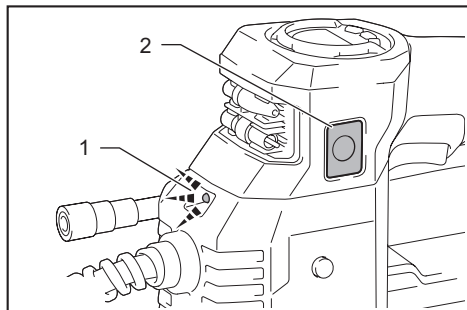
Modo	Indicación	Propósito	Rango de presión ajustable
Balón		Para inflar balones	35 a 110 kPa (5 a 16 PSI)
Baja velocidad		Para inflar objetos a baja velocidad	35 a 110 kPa (5 a 161 PSI)
Alta velocidad		Para inflar objetos a alta velocidad	

NOTA: Asegúrese de seleccionar el modo de balón cuando infle un balón mediante una aguja de balón deportivo. Si se selecciona otro modo, el inflado no se puede realizar adecuadamente.

NOTA: Asegúrese de seleccionar el modo de baja velocidad cuando infle un objeto mediante un adaptador de válvula inglesa. Si se selecciona otro modo, el inflado no se puede realizar adecuadamente.

Iluminación de la luz delantera

Al encender la herramienta oprimiendo el interruptor de alimentación principal, se enciende la lámpara. Al apagar la herramienta oprimiendo el interruptor de alimentación principal, la lámpara se apaga.



► 1. Luz 2. Interruptor de alimentación principal

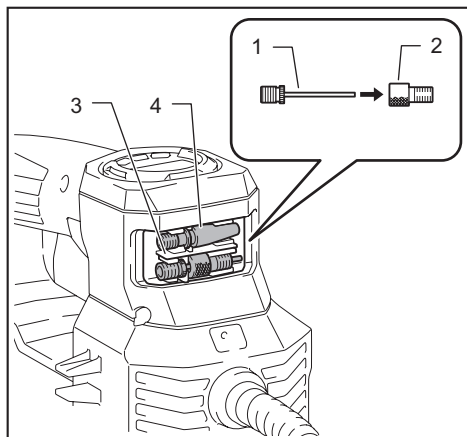
PRECAUCIÓN: No mire a la luz ni vea a la fuente de luz directamente.

AVISO: Cuando la herramienta se sobrecaliente, la lámpara parpadeará. Antes de operar la herramienta nuevamente, apáguela y deje que se enfríe por completo.

NOTA: Utilice un paño seco para quitar la suciedad de la lente de la lámpara. Tenga cuidado de no rayar la lente de la lámpara ya que la iluminación podría disminuir.

Almacenamiento del adaptador

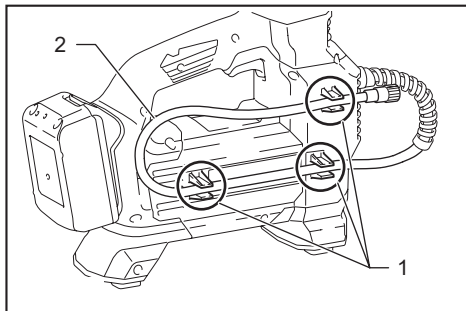
Los adaptadores se pueden guardar en el sujetador del adaptador de la herramienta. Inserte la aguja de balón deportivo en el adaptador de válvula Presta antes de acoplarlos al sujetador del adaptador.



► 1. Aguja de balón deportivo 2. Adaptador de válvula Presta 3. Sujetador del adaptador 4. Adaptador cónico

Almacenamiento de la manguera

La manguera puede acoplarse al sujetador de la manguera de la herramienta.

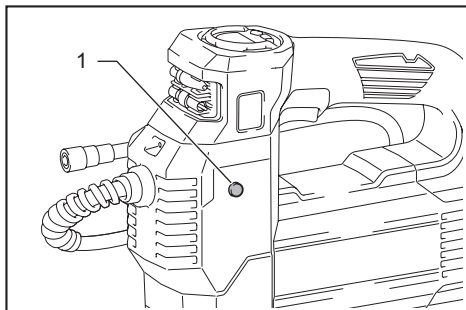


► 1. Sujetador de la manguera 2. Manguera

Botón de escape de aire

AVISO: Mientras el adaptador de válvula inglesa está acoplado a la herramienta, el aire no saldrá incluso cuando oprima el botón de escape de aire.

Cuando el objeto se infla demasiado, oprima el botón de escape de aire para dejar que escape aire.



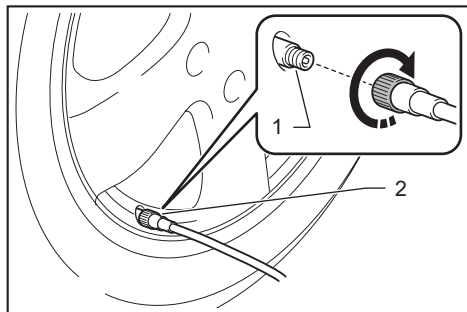
► 1. Botón de escape de aire

OPERACIÓN

NOTA: Los adaptadores estándares varían dependiendo del país.

Uso del adaptador de válvula Schrader

1. Acople el mandril neumático al vástago de la válvula.



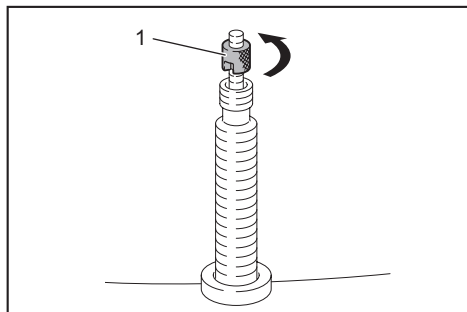
- 1. Vástago de válvula 2. Mandril neumático

2. Encienda la herramienta y luego ajuste el valor de presión apropiado para el neumático mediante el indicador de presión.

3. Continúe jalando el gatillo interruptor hasta que la herramienta se detenga. El neumático se infla a la presión especificada.

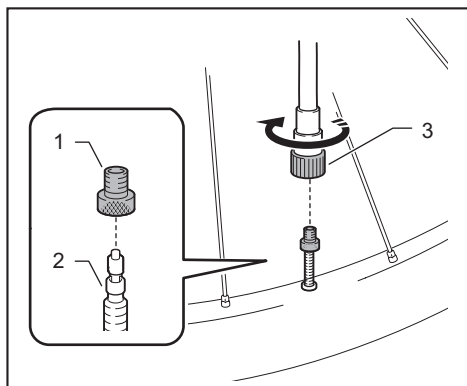
Uso del adaptador de válvula Presta

1. Afloje la contratuerca en el vástago de la válvula.



- 1. Contratuerca

2. Acople el adaptador de válvula Presta al vástago de la válvula, y luego acople el mandril neumático al adaptador de válvula Presta.



- 1. Adaptador de válvula Presta 2. Vástago de la válvula 3. Mandril neumático

3. Encienda la herramienta y luego ajuste el valor de presión apropiado para el neumático mediante el indicador de presión.

4. Continúe jalando el gatillo interruptor hasta que la herramienta se detenga. El neumático se infla a la presión especificada.

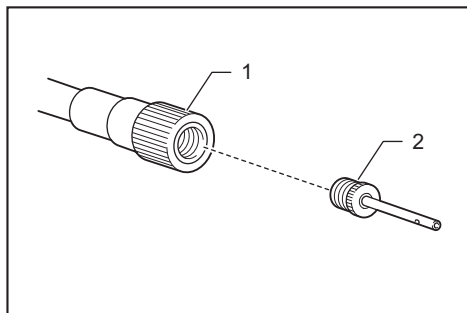
5. Retire el mandril neumático y el adaptador de válvula Presta, y luego apriete la contratuerca.

Uso de la aguja de balón deportivo

AVISO: Asegúrese de seleccionar el modo de balón cuando infle un balón mediante una aguja de balón deportivo. Si se selecciona otro modo, el inflado no se puede realizar adecuadamente.

Para inflar balones deportivos, utilice la aguja de balón deportivo.

1. Acople la aguja de balón deportivo al mandril neumático.



- 1. Mandril neumático 2. Aguja de balón deportivo

2. Inserte la aguja de balón deportivo en el orificio del balón.

3. Encienda la herramienta.

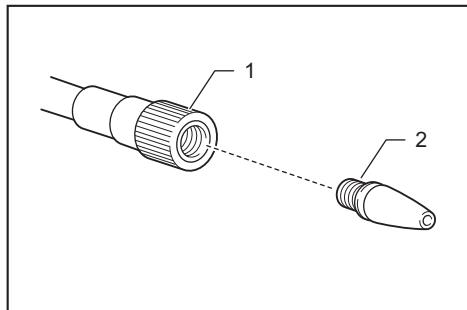
- Ajuste el modo de inflado al modo de balón, y ajuste el valor de presión apropiado para el balón mediante el indicador de presión.
- Continúe jalando el gatillo interruptor hasta que la herramienta se detenga. El balón se infla a la presión especificada.

Uso del adaptador cónico

PRECAUCIÓN: Tenga cuidado de no inflar demasiado el flotador.

Para inflar flotadores, utilice el adaptador cónico.

- Acople el adaptador cónico al mandril neumático.



- 1. Mandril neumático 2. Adaptador cónico

- Inserte el adaptador cónico en el orificio del flotador.
- Encienda la herramienta.
- Infla el flotador jalando el gatillo interruptor mientras comprueba el estado del flotador.

AVISO: Cuando infla un flotador, no se base en el valor de presión actual del indicador de presión. El indicador de presión no indica un valor de presión actual preciso cuando la presión del flotador es menor que 35 kPa (5 PSI).

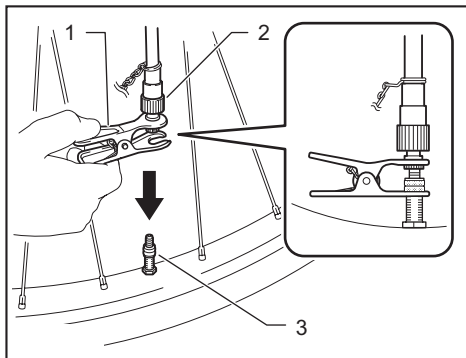
Uso del adaptador de válvula inglesa

Específico del país

AVISO: Asegúrese de seleccionar el modo de baja velocidad cuando infla un objeto mediante un adaptador de válvula inglesa. Si se selecciona otro modo, el inflado no se puede realizar adecuadamente.

- Inserte el adaptador de válvula inglesa en el mandril neumático.

- Acople el adaptador de válvula inglesa al vástago de la válvula mientras abre el adaptador de válvula inglesa.



- 1. Adaptador de válvula inglesa 2. Mandril neumático 3. Vástago de la válvula

- Encienda la herramienta.
- Infla el neumático jalando el gatillo interruptor mientras comprueba el estado del neumático.

AVISO: Si se usa un adaptador de válvula inglesa, el indicador de presión no indicará un valor exacto debido a las características de la válvula. Al inflar un neumático, no utilice el valor que aparece en el indicador de presión, pero inflelo comprobando el estado del neumático.

Si la herramienta se detiene antes de que el neumático alcance la presión de aire deseada, ajuste el valor de presión y a continuación vuelva a inflar el neumático.

MANTENIMIENTO

PRECAUCIÓN: Asegúrese siempre de que la herramienta esté apagada y el cartucho de batería extraído antes de intentar realizar una inspección o mantenimiento.

AVISO: Nunca use gasolina, bencina, diluyente (tiner), alcohol o sustancias similares. Puede que esto ocasione grietas o descoloramiento.

Para mantener la SEGURIDAD y FIABILIDAD del producto, las reparaciones, y cualquier otra tarea de mantenimiento o ajuste deberán ser realizadas en centros de servicio autorizados o de fábrica Makita, empleando siempre repuestos Makita.

GARANTÍA LIMITADA DE MAKITA

Ésta Garantía no aplica para México

Consulte la hoja de la garantía anexa para ver los términos más vigentes de la garantía aplicable a este producto. En caso de no disponer de esta hoja de garantía anexa, consulte los detalles sobre la garantía descritos en el sitio web de su país respectivo indicado a continuación.

Estados Unidos de América: www.makitatools.com

Canadá: www.makita.ca

Otros países: www.makita.com

ACCESORIOS OPCIONALES

⚠PRECAUCIÓN: Estos accesorios o aditamentos están recomendados para utilizarse con su herramienta Makita especificada en este manual.

El empleo de cualquier otro accesorio o aditamento puede conllevar el riesgo de lesiones personales. Utilice los accesorios o aditamentos solamente para su fin establecido.

Si necesita cualquier ayuda para más detalles en relación con estos accesorios, pregunte a su centro de servicio local Makita.

- Batería y cargador originales de Makita

NOTA: Algunos de los artículos en la lista pueden incluirse en el paquete de la herramienta como accesorios estándar. Éstos pueden variar de país a país.

< USA only >

WARNING

Some dust created by power sanding, sawing, grinding, drilling, and other construction activities contains chemicals known to the State of California to cause cancer, birth defects or other reproductive harm. Some examples of these chemicals are:

- lead from lead-based paints,
- crystalline silica from bricks and cement and other masonry products, and
- arsenic and chromium from chemically-treated lumber.

Your risk from these exposures varies, depending on how often you do this type of work. To reduce your exposure to these chemicals: work in a well ventilated area, and work with approved safety equipment, such as those dust masks that are specially designed to filter out microscopic particles.

< Sólo en los Estados Unidos >

ADVERTENCIA

Algunos polvos creados por el lijado, aserrado, esmerilado, taladrado y otras actividades de la construcción contienen sustancias químicas reconocidas por el Estado de California como causantes de cáncer, defectos de nacimiento y otros peligros de reproducción. Algunos ejemplos de estos productos químicos son:

- plomo de pinturas a base de plomo,
- sílice cristalino de ladrillos y cemento y otros productos de albañilería, y
- arsénico y cromo de maderas tratadas químicamente.

El riesgo al que se expone varía, dependiendo de la frecuencia con la que realice este tipo de trabajo. Para reducir la exposición a estos productos químicos: trabaje en un área bien ventilada y póngase el equipo de seguridad indicado, tal como las máscaras contra polvo que están especialmente diseñadas para filtrar partículas microscópicas.

Makita Corporation

3-11-8, Sumiyoshi-cho,
Anjo, Aichi 446-8502 Japan

www.makita.com

DMP181-NA3-2105
DMP181-1
EN, FRCA, ESMX
20210317